

# Parts Catalog

---

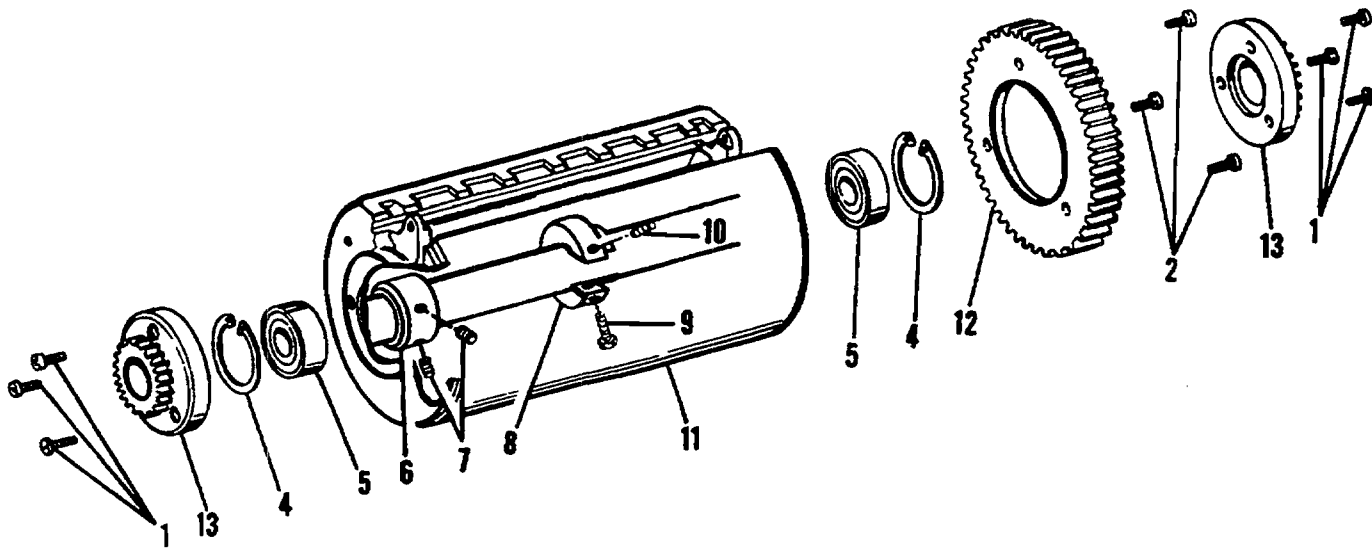


FIGURE 22  
MODEL 9815/9850 Master Cylinder Assembly - Part II

# Parts Catalog

Index No.	Part No.	MODEL 9805/9850 Figure 22 Description	Units Per Assy.
1	014111	SCREW - 1/4-28 x 5/8 .....	6
2	100653	SCREW - 1/4-28 x 3/4 .....	3
4	014516	RING - Retaining, 2.742 O.D. ....	2
5	080814	BEARING .....	2
6	080820	COLLAR - Cylinder Locking .....	1
7	014206	SCREW - Set, 1/4-28 x 3/8 .....	2
8	009794	COLLAR ASSEMBLY .....	1
9	100201	SCREW - 1/4-28 x 7/8 .....	1
10	100167	SCREW - Set, 1/4-28 x 5/8 .....	1
11	009751	MASTER CYLINDER .....	1
12	009791	GEAR - Master Cylinder .....	1
13	080910	GEAR - Ducting Gear .....	2