

# Parts Catalog

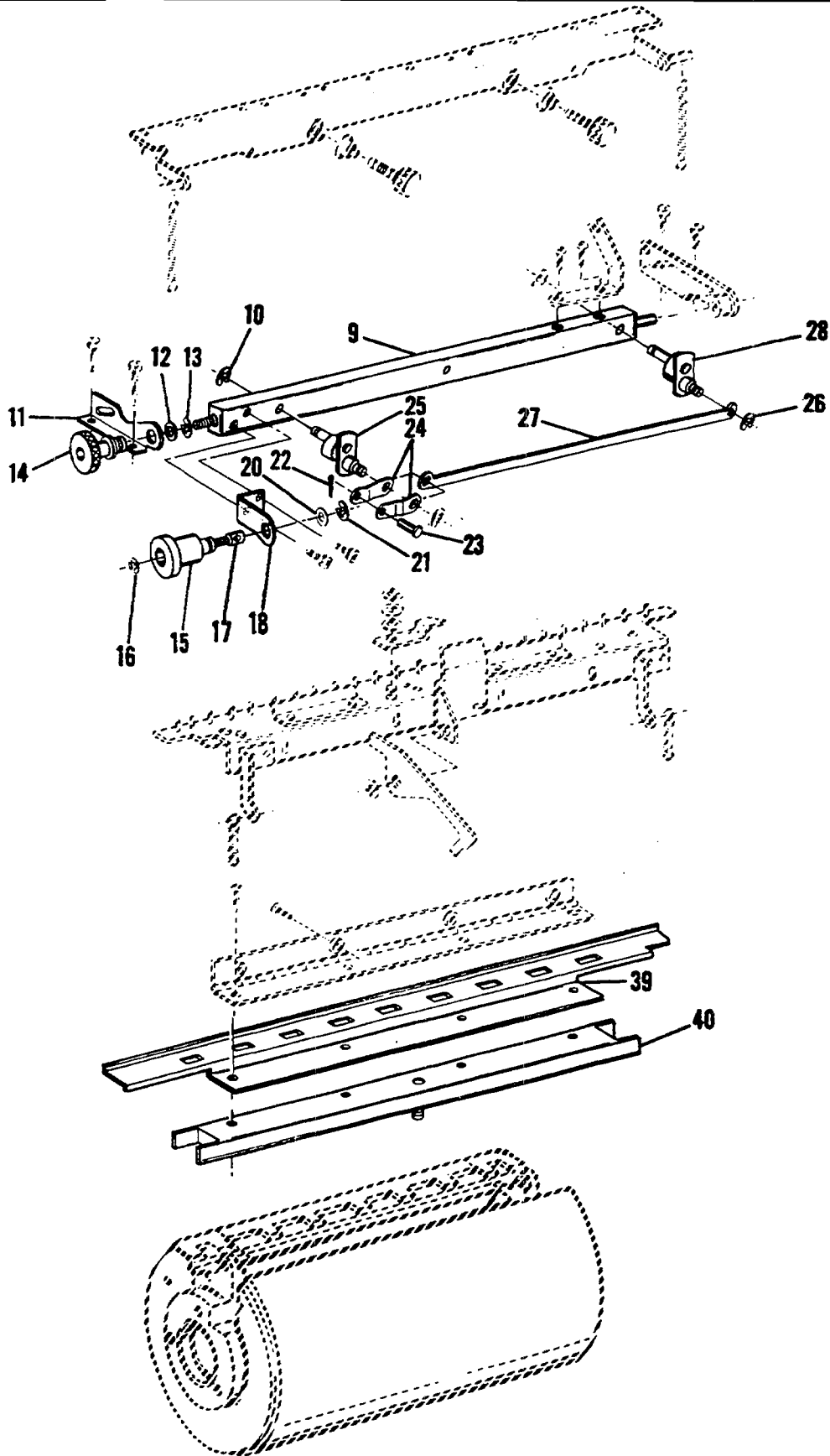


FIGURE 21  
MODEL 9815/9850 Master Cylinder Assembly - Part I

# Parts Catalog

Index No.	Part No.	MODEL 9805/9850 Figure 21 Description	Units Per Assy.
9	009782	BAR - Lateral Adjusting .....	1
10	001060	RING - Retaining, .208 I.D. ....	2
11	009778	BRACKET - Clamp, O.S. ....	1
12	190149	WASHER - .443 I.D. x 11/16 O.D. ....	1
13	001098	RING - Retaining, .339 I.D. ....	1
14	009773	KNOB - Lateral Control .....	1
15	009783	KNOB - Radial Control .....	1
16	001782	RING - Retaining, .115 I.D. ....	1
17	009785	ROD - Threaded, 10-32 x 1.000 .....	1
18	009781	BRACKET - Radial Adjust .....	1
20	193354	WASHER - .381 I.D. x 5/8 O.D. ....	1
21	001080	RING - Retaining, .302 I.D. ....	1
22	100172	PIN - Cotter, 1/32 x .250 O.A.L. ....	1
23	196273	PIN - Link .....	1
24	009786	LINK .....	2
25	009766	CAM - O.S. ....	1
26	014504	RING - Retaining, .146 I.D. ....	2
27	009772	LINK - Cam Control .....	1
28	009767	CAM - N.O.S. ....	1
39	009756	PLATE - Clamp .....	1
40	009754	BAR ASSEMBLY - Radial Assembly .....	1