

Parts Catalog

QP, QPC & PRO

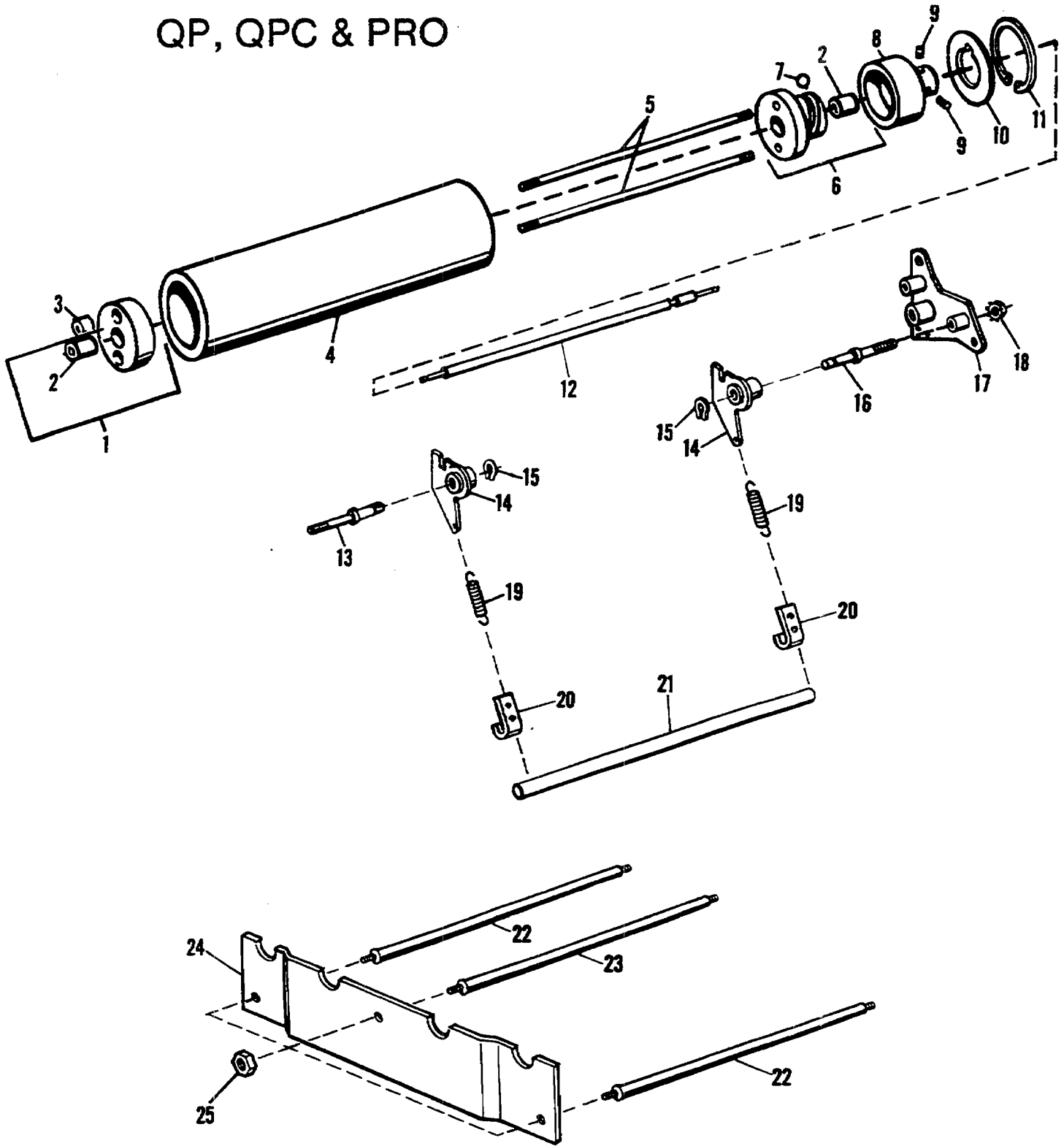


FIGURE 13
MODEL 9815/9850 Lower Oscillating Roller and Related Parts

Parts Catalog

Index No.	Part No.	MODEL 9805/9850 Figure 13 Description	Units Per Assy.
1	080694	PLUG ASSEMBLY - Aux. Oscillating Roller	1
2	001497	BUSHING	1
3	196475	NUT - Special	2
4	007577	ROLLER - Nylon	1
5	007580	ROD - Tie	2
6	080695	PLUG AND CAM ASSEMBLY	1
7	080699	BALL	1
8	080263	CAP	1
9	014390	SCREW - Set, 1/4-28 x 1/4	2
10	080698	GUARD	1
11	014523	RING- Retaining Internal, 2.456 I.D. x 2.600 O.D. x .081	1
12	078668	SHAFT- Aux. Oscillating Roller	1
13	195680	STUD - Pivot, N.O.S.	1
14	081178	ARM ASSEMBLY - Oscillating Roller	2
15	001095	RING - Retaining External, .245 I.D. x .500 O.D. x .027	2
16	195683	STUD - Pivot, O.S.	1
17	078639	BRACKET ASSEMBLY - Bearing, O.S.	1
18	150085	NUT - 1/4-28	4
19	190330	SPRING - .374 O.D. x 2-25/32 O.A.L. x .288	2
20	076070	CLIP - Spring Anchor	2
21	007575	TIE BAR	1
22	078672	TIE ROD - End, Short	2
23	078671	TIE ROD - Long	1
24	078641	RACK	2
25	014808	NUT - 10-32	6