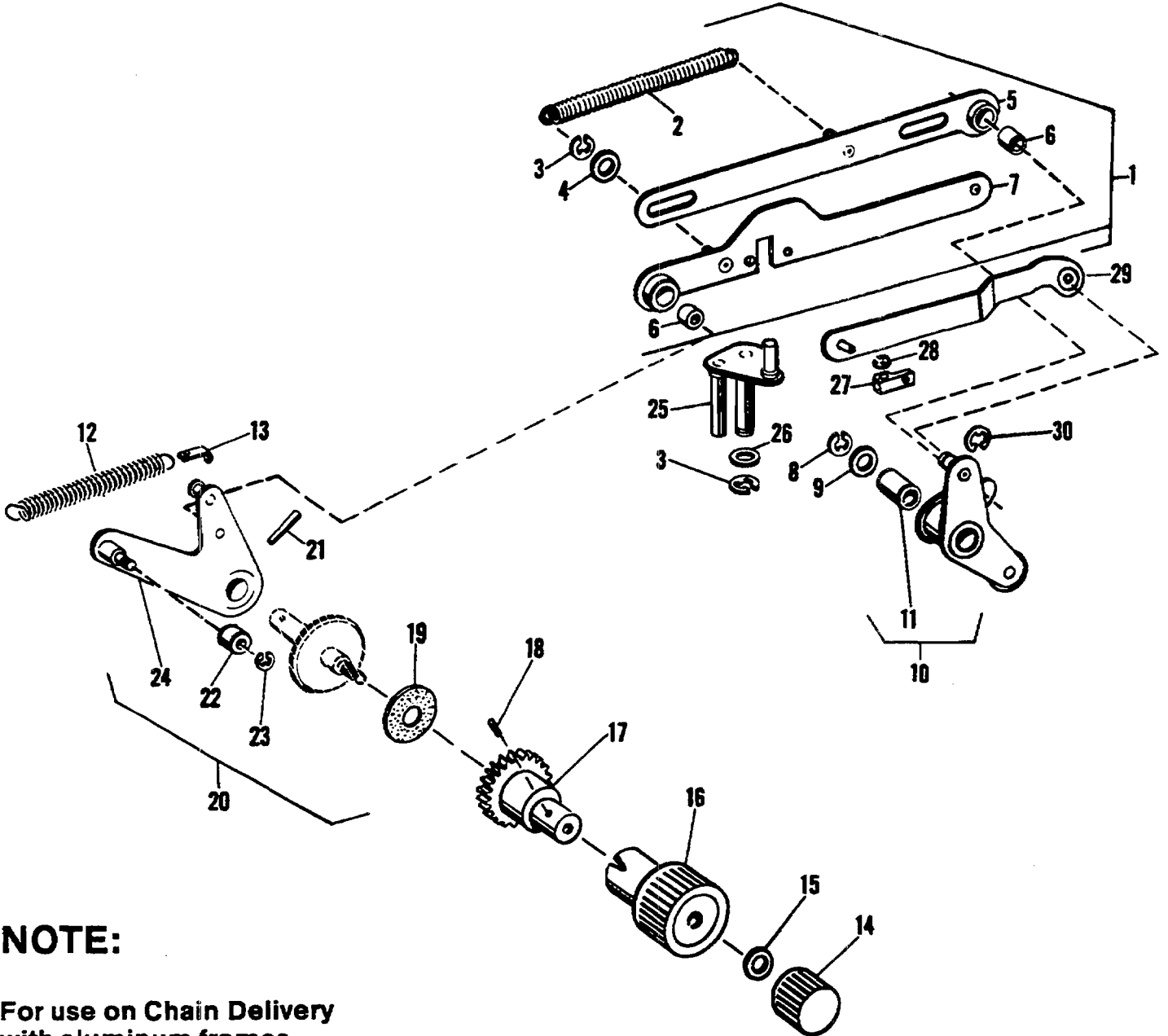


Parts Catalog



NOTE:

For use on Chain Delivery
with aluminum frames.

FIGURE 71
MODEL 9815/9850 Back and Side Jogger Mechanism

Parts Catalog

Index No.	Part No.	MODEL 9805/9850 Figure 71 Description	Units Per Assy.
1	078466	LINK ASSEMBLY - Back Jogger	1
2	081704	SPRING - 1/2 O.D. x 3-11/32 O.A.L.	1
3	001095	RING - Retaining, .245 I.D. x .027	3
4	004074	WASHER - .314 I.D.	2
5	081561	LINK - Back jogger	1
6	001452	BUSHING - .441 O.D. x .316 I.D. x .375	2
7	078467	LINK - Back Jogger	1
8	001080	RING - Retaining, .302 I.D. x .037	1
9	001721	WASHER - .625 O.D. x .380 I.D. x .059	1
10	078456	LEVER ASSEMBLY - Back Jogger	1
11	001401	BUSHING - .504 O.D. x .379 I.D. x .750	1
12	064587	SPRING - Tension, .406 O.D. x 3.500 O.A.L. x .054	1
13	050508	ANCHOR - Tension Spring	1
14	016933	KNOB - Back Jogger Locking	1
15	016574	WASHER - .687 O.D. x .315 I.D. x .047	1
16	017582	KNOB ASSEMBLY - Back Jogger Adjusting	1
17	017587	GEAR ASSEMBLY - Jogger Adjusting	1
18	101063	PIN - Roll, .162 O.D. x 2.000	1
19	081597	PAD - Friction	2
20	017588	LEVER ASSEMBLY - Jogger Adjusting	1
21	000023	PIN - Taper, .177 O.D. x .978	1
22	054350	ROLLER - Adjusting Lever	1
23	001049	RING - Retaining, .277 I.D. x .027	1
24	*081594	LEVER - Jogger Adjusting	1
25	081583	PLATE ASSEMBLY - Jogger Drive	1
26	043106	WASHER - .437 O.D. x .314 I.D. x .047	4
27	078463	DRIVE BLOCK - Plate Assembly	1
28	014464	RING - Retaining, .234 I.D. x .035	1
29	078460	LINK - Plate Assembly, Drive Block	1
30	001060	RING - Retaining, .208 I.D. x .027	2

*Not Procurable Separately

NOTE: All above parts are used for Chain Delivery with Aluminum Frames.