

Parts Catalog

NOTE:

For use on Chain Delivery with aluminum frames.

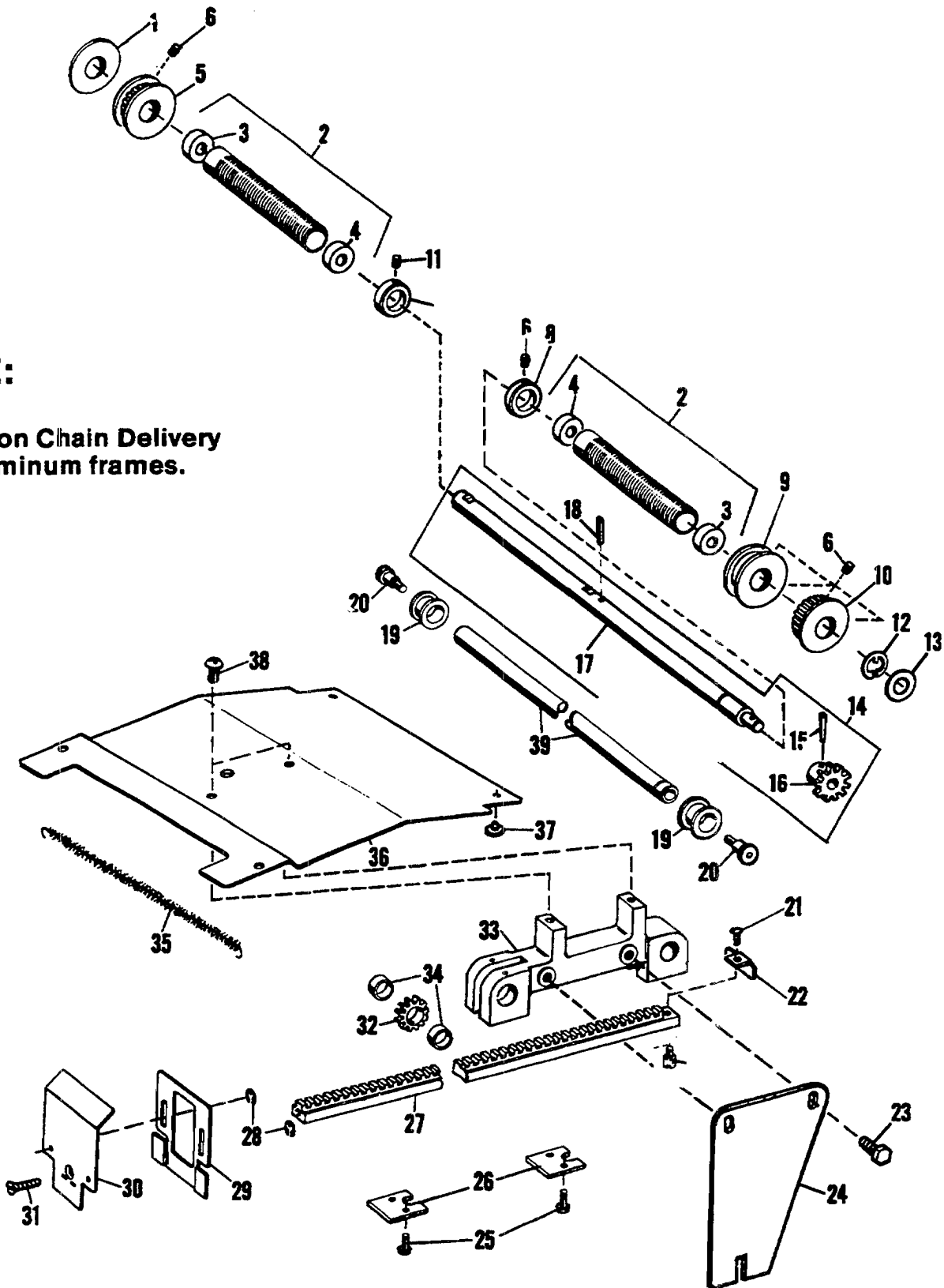


FIGURE 69
MODEL 9815/9850 Back and Side Jogger Mechanism

Parts Catalog

| Index No. | Part No. | MODEL 9805/9850 Figure 69 Description | Units Per Assy. |
|-----------|----------|--|-----------------|
| 1 | 195463 | SPACER | 1 |
| 2 | 007703 | SCREW ASSEMBLY - Jogger | 2 |
| 3 | 195932 | BUSHING - .629 I.D. x .721 O.D. x .375 O.A.L. | 2 |
| 4 | 024642 | BUSHING - .629 I.D. x .721 O.D. x .500 O.A.L. | 2 |
| 5 | 076655 | PULLEY - Timing, N.O.S. | 1 |
| 6 | 100352 | SCREW - Set, 8-32 x 1/4 | 6 |
| 7 | 078464 | SPACER | 1 |
| 8 | 081699 | SPACER | 1 |
| 9 | 076512 | GUIDE - jogger | 1 |
| 10 | 076500 | PULLEY - Timing | 1 |
| 11 | 001650 | SCREW - Set, 10-32 x 3/16 | 2 |
| 12 | 014510 | RING - Retaining, .483 I.D. x .940 O.D. x .044 | 1 |
| 13 | 081789 | SPACER | 1 |
| 14 | 007709 | SHAFT ASSEMBLY - Jogger Screw | 1 |
| 15 | 000023 | PIN - Taper, .177 O.D. x .937 | 1 |
| 16 | *081684 | GEAR - Drive Shaft | 1 |
| 17 | *007710 | SHAFT - jogger Screw | 1 |
| 18 | 001976 | PIN - Roll, .135 O.D. x .827 | 1 |
| 9 | 081790 | SLEEVE - Tie Rod | 2 |
| 20 | 081677 | SCREW - Shoulder, 5/16-18 | 2 |
| 21 | 100958 | SCREW - Nylok, 8-32 x .375 | 1 |
| 22 | 076200 | BRACKET - Stop, Rack | 1 |
| 23 | 111071 | SCREW - 1/4-28 x 1/2 QPC & PRO | 2 |
| 24 | 017807 | PLATE - Support Assembly | 1 |
| 25 | 111052 | SCREW - 10-32 x 3/8 | 4 |
| 26 | 081695 | PLATE - Gear Rack Mounting | 2 |
| 27 | 081337 | GEAR RACK - Back Jogger | 1 |
| 28 | 001060 | RING - Retaining, .208 I.D. x .027 | 2 |
| 29 | 081856 | PLATE - Back Jogger Drop | 1 |
| 30 | 081855 | PLATE ASSEMBLY - Mounting | 1 |
| 31 | 014366 | SCREW - 10-32 x 3/4 | 1 |
| 32 | 081683 | GEAR - Rack Drive | 1 |
| 33 | 081625 | SUPPORT ASSEMBLY - Gear Rack | 1 |
| 34 | 014636 | BUSHING - .754 O.D. x .629 I.D. x .375 | 2 |
| 35 | *** | TINSEL | 1 |
| 36 | 017680 | COVER - Gear Rack | 1 |
| 37 | 081725 | PLUG - Cover Assembly | 2 |
| 38 | 001685 | SCREW - 1/4-28 x 3/8 | 2 |
| 39 | 007715 | TIE ROD - Frame | 1 |

*Not Procurable Separately

***Order As Supply Item #670 (2 rolls = 12 yds. or 10.9M each)

NOTE: All above parts are used for Chain Delivery with Aluminum Frames