

Parts Catalog

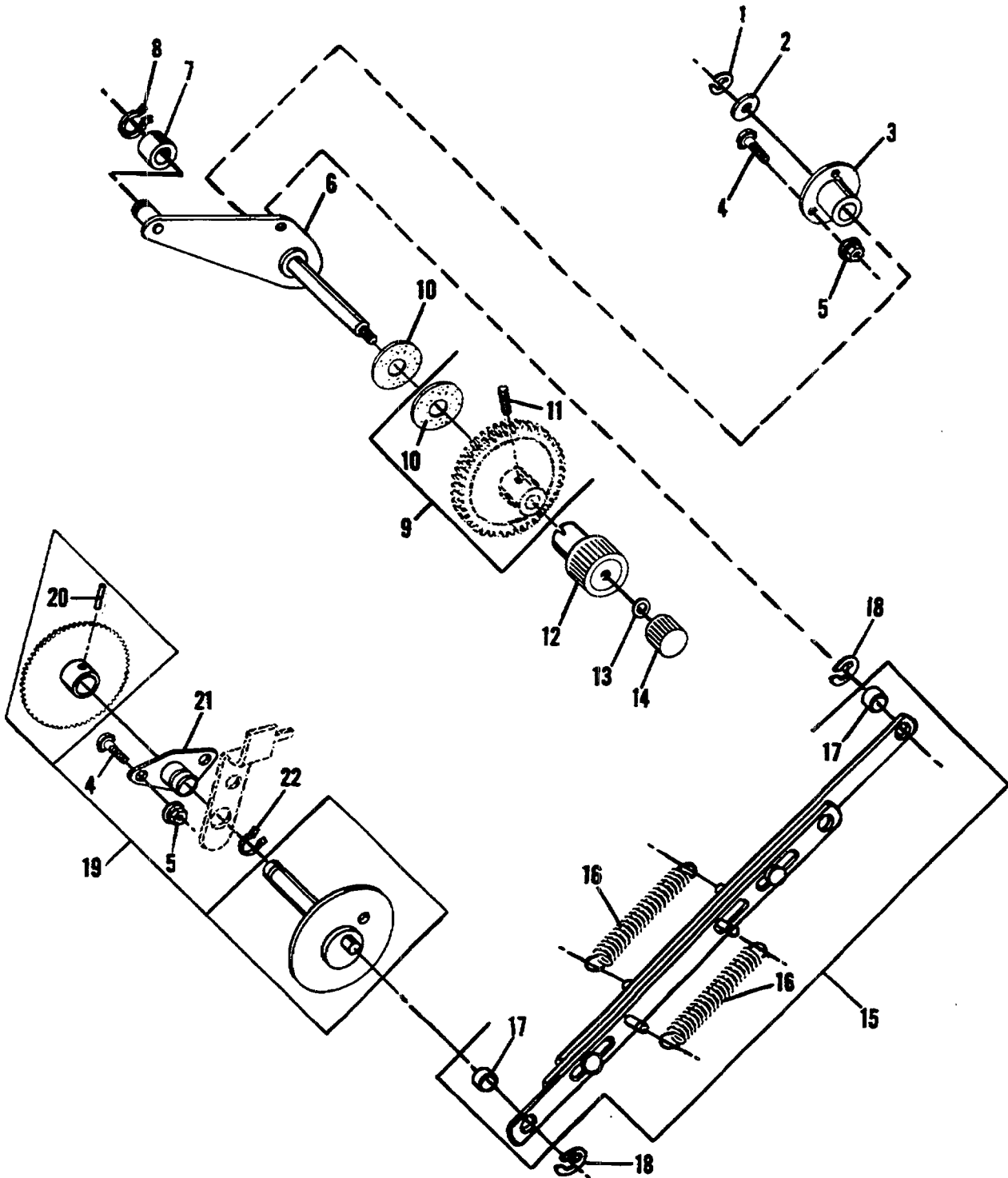


FIGURE 71A
MODEL 9820/9850 (1:1) Back Jogger Mechanism - Part II

Parts Catalog

Index No.	Part No.	MODEL 9805/9850 Figure 71A Description	Units Per Assy.
1	014510	RING - Retaining, .483 I.D. x .044	1
2	081789	WASHER - Plain, .630 I.D. x 1.000 O.D. x .064	1
3	016376	BEARING - Sprocket Shaft	1
4	111054	SCREW - 10-32 x 1/2	5
5	150083	NUT - 10-32	5
6	016486	LEVER ASSEMBLY	1
7	054350	ROLLER	1
8	001049	RING - Retaining, .277 I.D. x .027	1
9	016489	GEAR ASSEMBLY	1
10	081597	PAD - Friction	1
11	149319	PIN - Spiral, 3/16 O.D. x 1/2 O.A.L.	1
12	017582	KNOB ASSEMBLY - Back Jogger Adjusting	1
13	016574	WASHER - .315 I.D. x .687 O.D. x .047	1
14	016933	KNOB - Back jogger	1
15	016494	LINK ASSEMBLY - Drive	1
16	196405	SPRING - Tension, 15/32 O.D. x 2-7/8 O.A.L.	2
17	001472	BUSHING - .315 I.D. x .439 O.D. x .250	2
18	001095	RING - Retaining, .245 I.D. x .027	2
19	016472	CAMCRANK ASSEMBLY	1
20	001956	PIN - Taper, .157 O.D. x 1.000 O.A.L.	1
21	016441	BEARING ASSEMBLY	1
22	001076	RING - Retaining, .815 I.D. x .044	1