

# Parts Catalog

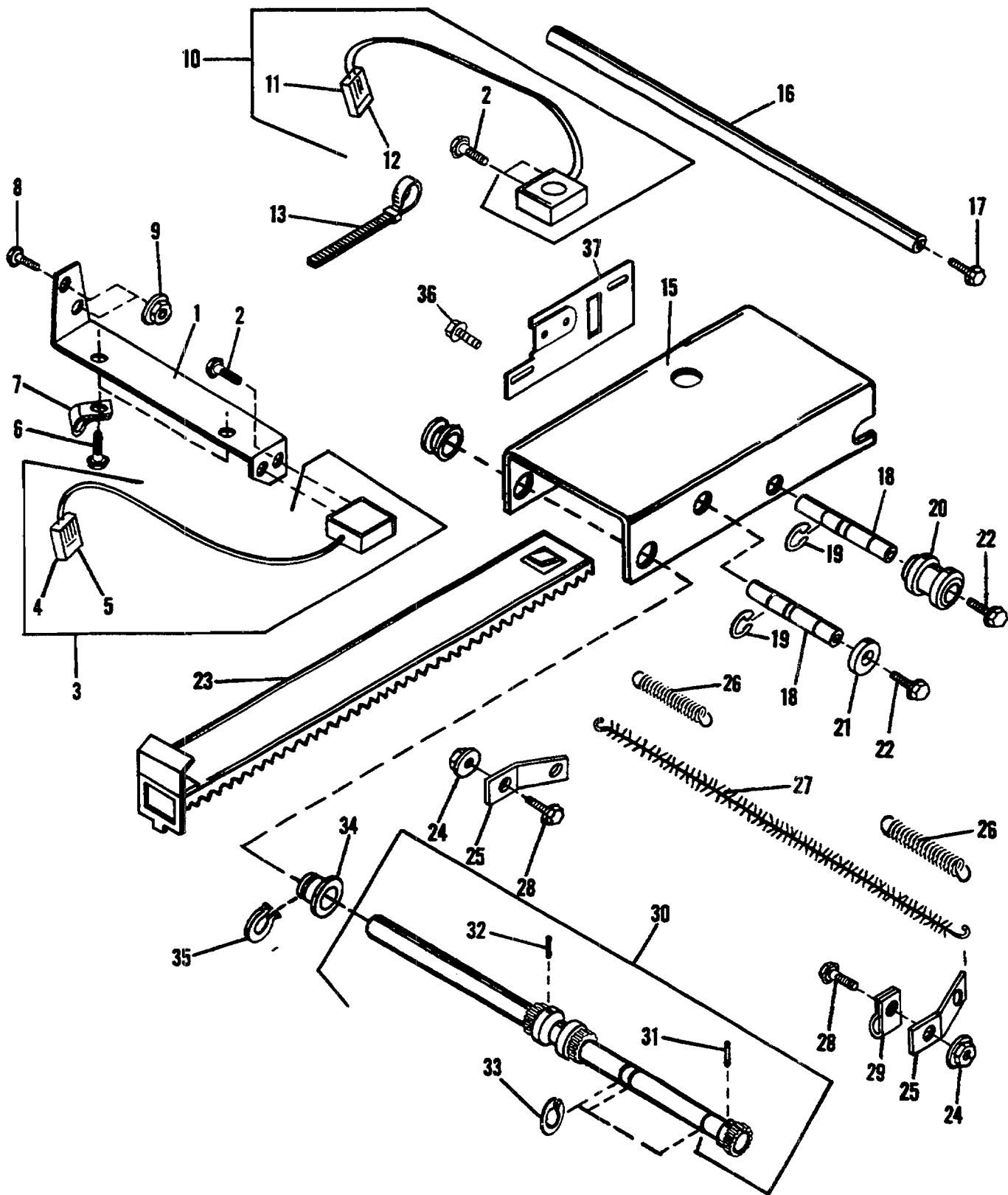


FIGURE 69A  
MODEL 9820/9850 (1:1) Back Jogger Mechanism - Part I

# Parts Catalog

Index No.	Part No.	MODEL 9805/9850 Figure 69A Description	Units Per Assy.
1	016459	BRACKET - Sensor .....	1
2	000895	SCREW - 6-32 x 3/8 .....	4
3	011506	PHOTOTRANSISTOR ASSEMBLY - Upper .....	1
4	250256	CONNECTOR HOUSING - Plug .....	1
5	250259	TERMINAL - Socket .....	2
6	100666	SCREW - Self-Tapping, 8/32 x 5/16 .....	2
7	250202	CLAMP - Cable, 1/8 .....	2
8	001542	SCREW - Flat Head, 10-32 x 7/16 .....	2
9	150083	NUT - 10-32 .....	2
10	011507	LAMP ASSEMBLY - Infrared, Lower .....	1
11	250258	CONNECTOR HOUSING - Socket .....	1
12	250257	TERMINAL - Pin .....	2
13	250077	TIE - Cable, 3-7/8 O.A.L. ....	2
14	100731	BUSHING - Flanged Nylon, .501 I.D. x .562 O.D. x .078 .....	2
18	016431	SHAFT .....	2
19	001776	RING - Retaining, .273 I.D. x .027 .....	4
20	016430	ROLLER - Rear .....	1
21	196399	ROLLER - Rack, Upper .....	1
22	111052	SCREW - 10-32 x 3/8 .....	4
23	016421	RACK ASSEMBLY - Jogger .....	1
24	014808	NUT - 10-32 .....	2
25	081107	CLIP - Spring .....	2
26	050621	SPRING - Tension, .218 O.D. x 1.218 O.A.L. ....	2
27	***	TINSEL .....	AVR
28	111054	SCREW - 10-32 x 1/2 .....	2
29	100960	CLAMP - 1/4 .....	1
30	016424	SHAFT ASSEMBLY - Jogger .....	1
31	000009	PIN - Taper, .110 O.D. x .750 O.A.L. ....	1
32	100521	PIN - Taper, .156 O.D. x 1.375 O.A.L. ....	1
33	100969	RING - Retaining, .447 I.D. x .037 .....	3
34	196397	BUSHING - Special Flange .....	2
35	101938	RING - Retaining, Bowed .....	2
36	001541	SCREW - 6-32 x 1/4 .....	2
37	016298	BRACKET - Sensor .....	1

\*\*\* Order As Supply Item #670 (2 rolls = 12 yds. or 10.9M each)