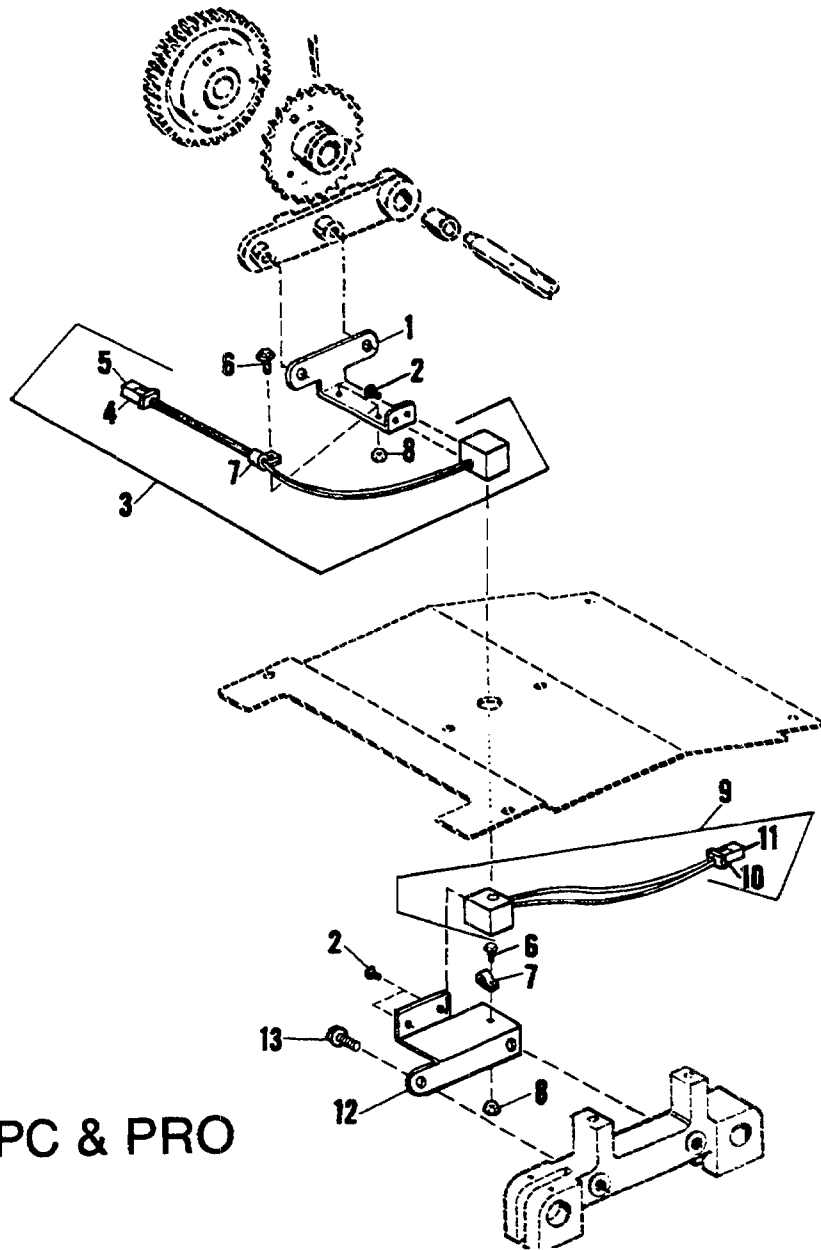
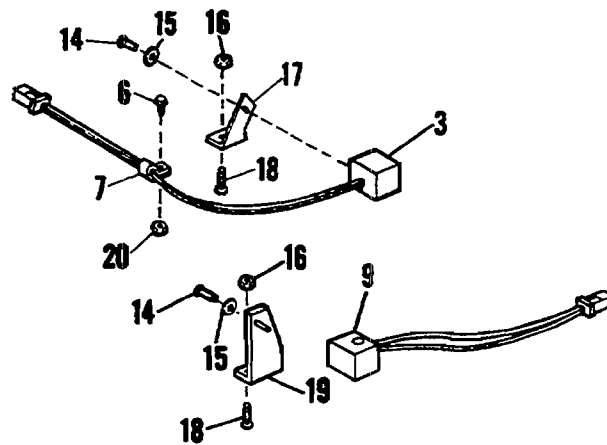


# Parts Catalog



CD, QPC & PRO



TD & QP

FIGURE 51  
MODEL 9815/9850 Jam Detector Assembly

# Parts Catalog

Index No.	Part No.	MODEL 9805/9850 Figure 51 Description	Units Per Assy.
1	>016903	BRACKET - Mounting, Sensor .....	1
2	000895	SCREW - 6-32 x 3/8 .....	4
3	011506	PHOTOTRANSISTOR ASSEMBLY .....	1
4	250256	CONNECTOR HOUSING - Plug .....	1
5	250259	TERMINAL - Socket .....	2
6	111034	SCREW - 8-32 x 3/8 .....	4
7	250202	CLAMP - Cable, 1/8 .....	4
8	>014811	NUT - 8-32 .....	1
9	011507	LAMP ASSEMBLY - Infrared .....	1
10	250258	CONNECTOR HOUSING - Socket .....	1
11	250257	TERMINAL - Pin .....	2
12	>016906	BRACKET - Mounting, Lamp .....	1
13	111071	SCREW - 1/4-28 x 1/2 .....	2
14	014233	SCREW - 6-32 x 3/8 .....	4
15	006801	WASHER - Flat, .149 I.D. ....	4
16	150083	NUT - 10-32 .....	1
17	011517	BRACKET - Mounting, Sensor 10-32 x 3/8 .....	4
19	011518	BRACKET - Mounting, Lamp .....	1
20	150081	NUT - 8-32 .....	4

>For Chain Delivery with Aluminum Frames