

Parts Catalog

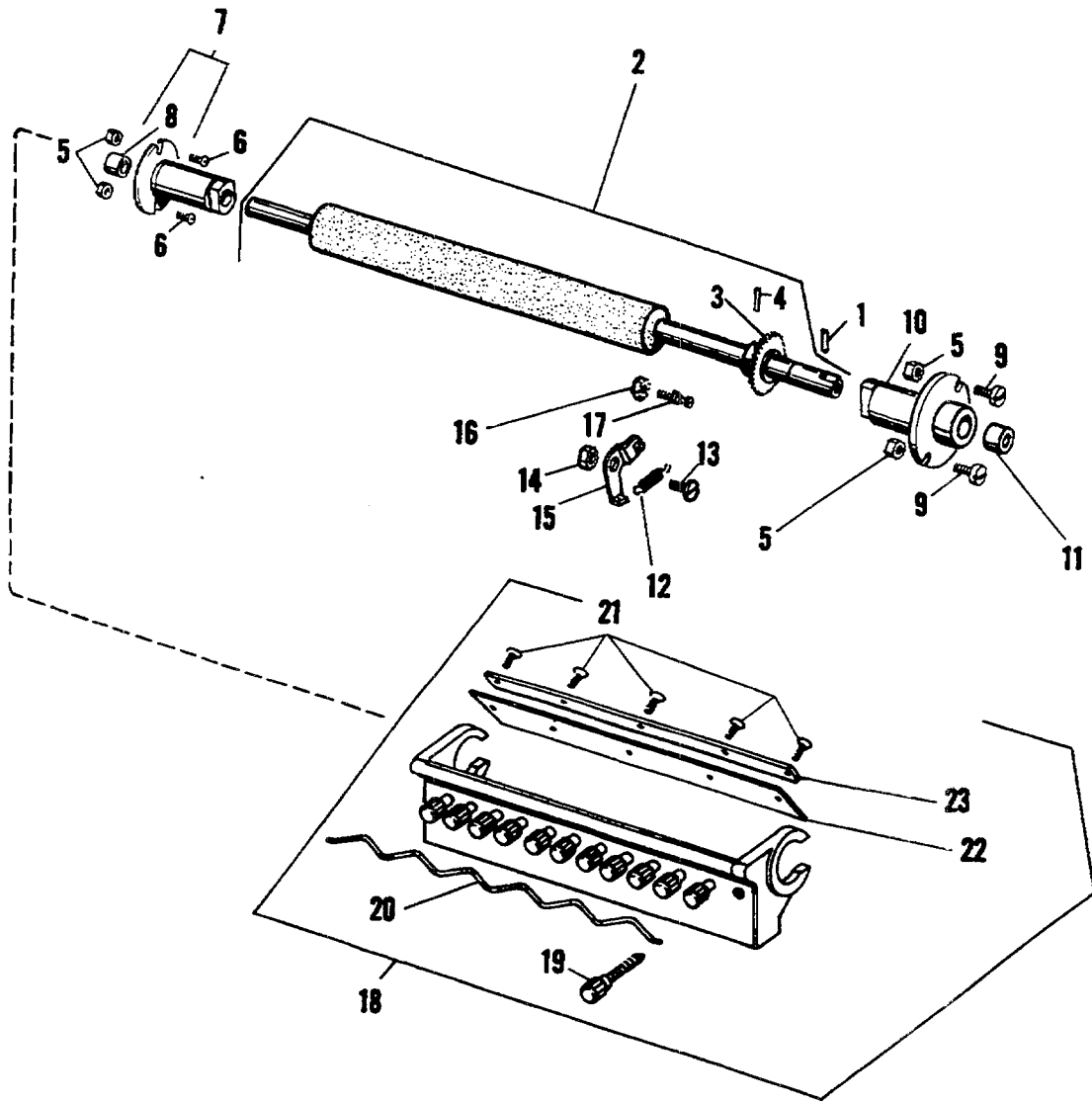


FIGURE 19
MODEL 9815/9850 Ink Fountain and Roller

Parts Catalog

Index No.	Part No.	MODEL 9805/9850 Figure 19 Description	Units Per Assy.
1	014921	PIN - Roll, .135 O.D. .890 O.A.L.	1
2	017697	ROLLER ASSEMBLY- Ink Fountain (TD and CD)	1
3	***079913	GEAR - (Use With 1976 Roll Pin) (TD and CD)	1
4	000011	PIN - Taper, .123 O.D. .908 O.A.L. (TD and CD)	1
5	150083	NUT- 10-32	2
6	111055	SCREW - 10-32 X 9/16	2
7	076031	HOUSING ASSEMBLY - N.O.S. (TD and CD)	1
8	001497	BUSHING - .504 I.D x .629 O.D. x .625 O.A.L.	1
8	001428	BUSHING - .439 I.D. x .565 O.D. x 9/16 O.A.L.	1
9	111051	SCREW - 10-32 x 5/16	2
10	017695	HOUSING ASSEMBLY - O.S. (TD and CD)	1
11	001434	BUSHING - .504 I.D. x .629 O.D. x .380 O.A.L.	2
12	041291	SPRING - .343 O.D. x .968 O.A.L.	1
13	071181	SCREW - Shoulder, 1/4-28	1
14	150085	NUT - 1/4-28	1
15	073078	LATCH AND PIVOT	1
16	014808	NUT- 10-32	1
17	072411	STUD - Latch and Pivot	1
18	027123	INK FOUNTAIN ASSEMBLY - (TD and CD)	1
19	077426	SCREW - Ink Adjustment, (TD and CD)	15
19	073512	SCREW - Ink Adjustment, (QP, QPC and PRO)	16
20	007594	WIRE - Locking (TD and CD)	1
21	014222	SCREW - 8-32 x 3/8 (TD and CD)	6
21	100334	SCREW - 10-32 x 3/4 (QP, QPC and PRO)	5
22	007596	KNIFE - (TD and CD)	1
22	008066	KNIFE - (QP, QPC and PRO)	1
23	007595	BAR - Knife (TD and CD)	1

***Field Replacement Only