

Parts Catalog

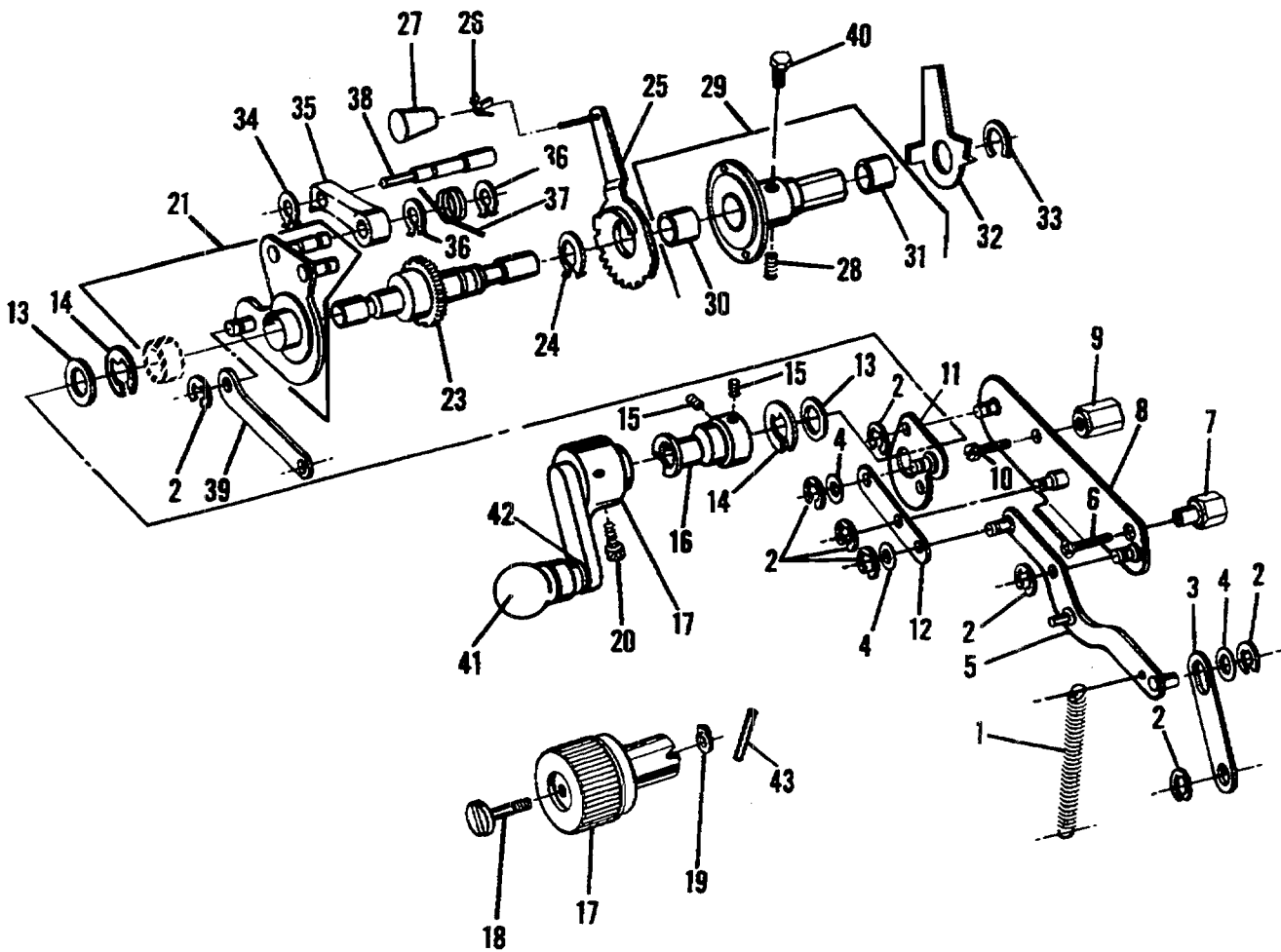


FIGURE 20
MODEL 9815/9850 Ink Fountain Linkage

Parts Catalog

Index No.	Part No.	MODEL 9805/9850 Figure 20 Description	Units Per Assy.
1	192152	SPRING - 17/64 O.D. x 3-5/64 O.A.L.	1
2	001097	RING - Retaining, .186 I.D.	6
3	017618	LINK	1
4	015213	WASHER - .227 I.D. x 3/8 O.D.	3
5	017616	LEVER ASSEMBLY	1
6	014151	SCREW - 10-32 x 1/2	1
7	017623	STAND - OFF	1
8	017611	BRACKET ASSEMBLY	1
9	017622	STAND - OFF	1
10	192029	SCREW - Dowel, 1/4-28	1
11	017613	PLATE ASSEMBLY	1
12	017615	LEVER	1
13	014688	WASHER - .510 I.D. x 1.000 O.D.	2
14	001094	RING - Retaining, .394 I.D.	2
15	014902	PIN - .126 O.D. x .750 O.A.L. (New Design)	1
15	014133	SCREW - Set, 1/4-28 x 1/4 O.A.L. (Old Design)	2
16	079075	RATCHET- Crank (Old Design)	1
17	017788	CRANK ASSEMBLY - (QP, QPC and PRO), Brown	1
17	017739	KNOB - (TD and CD), Chrome	1
18	196248	SCREW - Dowel, 1/4-28	1
19	039642	RING - Vinyl, .135 I.D.	1
20	014215	SCREW - 10-32 x 3/8	1
21	017630	LEVER ASSEMBLY - Operating	1
23	018366	EXTENSION ASSEMBLY - Knob	1
23	018383	EXTENSION ASSEMBLY - Crank (New Design)	1
24	001076	RING - Retaining, .815 I.D.	1
25	017702	CONTROL ASSEMBLY - Ink	1
26	072052	LOCK - Spring	1
27	011371	HANDLE	1
28	100863	SCREW - 10-32 x 1/4	1
29	018404	HOUSING ASSEMBLY - O.S. (QP, QPC and PRO)	1
30	001434	BUSHING - .504 I.D. x .629 O.D. x .380 O.A.L.	2
31	001428	BUSHING - .439 I.D. x .565 O.D. x 9/16 O.A.L.	1
32	017636	LEVER - Lockout	1
33	001785	RING - Retaining, .903 I.D.	1
34	001044	RING - Retaining, .170 I.D.	1
35	017693	PAWL	1
36	001046	RING - Retaining, .283 I.D.	2
37	080634	SPRING - Torsion, 11/32 I.D.	1
38	196258	PIN - Pawl Deflector	1
39	076734	LINK - Operating Lever	1
40	080132	SCREW - 1/4-28	1
41	196219	CRANK HANDLE KNOB - Brown	1
42	003042	CLIP - (Not Illustrated)	1
43	014921	PIN - Roll, .135 O.D. x .890 O.A.L.	1