

Parts Catalog

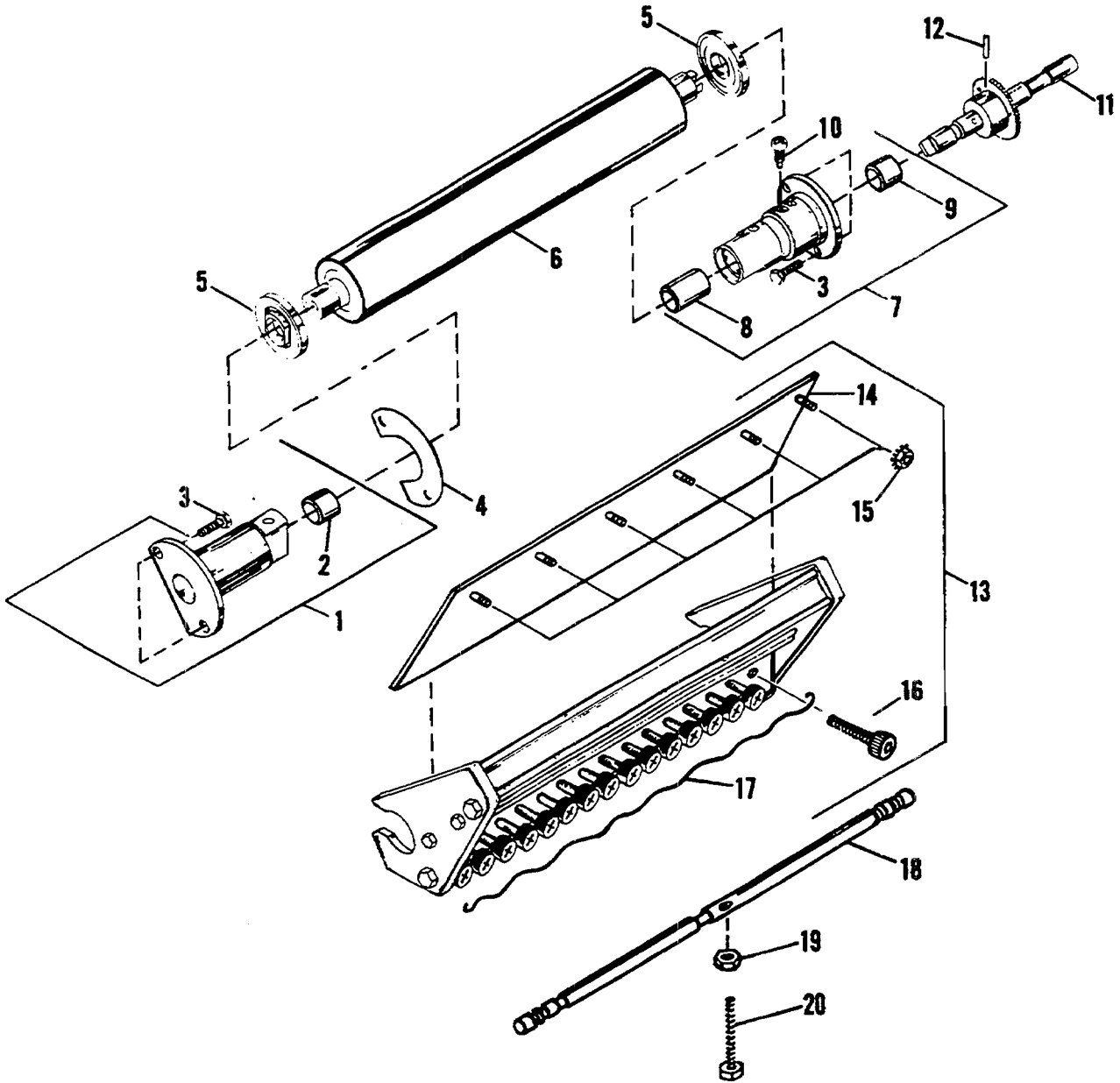


FIGURE 19A
MODEL 9815/9850 Ink Metering Assembly

Parts Catalog

Index No.	Part No.	MODEL 9805/9850 Figure 19A Description	Units Per Assy.
0	018404	INK FOUNTAIN KIT	A/R
1	018364	BUSHING ASSEMBLY - N.O.S.	1
2	001497	BUSHING - .630 O.A.L.	1
3	111051	SCREW - 10-32 x 5/16	4
4	018368	SHIM - Bushing, N.O.S.	A/R
5	018360	SEAL - Ink Roller	2
6	018358	ROLLER - Ink, Rubber	1
7	018362	BUSHING ASSEMBLY - O.S.	1
8	014646	BUSHING - 1.255 O.A.L.	1
9	001413	BUSHING - .750 O.A.L.	1
10	072620	SCREW - Shoulder, 10-32	1
11	018366	EXTENSION ASSEMBLY - Knob	1
11	018383	EXTENSION ASSEMBLY - Crank (New Design)	1
12	000011	PIN - Taper, .122 x 7/8	1
13	018350	METERING BLADE ASSEMBLY	1
14	402544	BLADE ASSEMBLY	1
15	102333	NUT - 10-32	6
	000666	LOCK WASHER	6
16	077426	SCREW - Ink Adjustment	15
16	073512	SCREW - Ink Adjustment (9840 B)	15
17	018357	SPRING - Screw, Tension	1
18	017996	TIE BAR - Metering Assembly Adjustment (Brown)	1
19	001812	NUT - 10-32	1
20	001260	SCREW - Adjusting, 10-32 x 1-1/4	1
21	190646	BOLD - (Not Illustrated)	4
22	018378	END PLATE - O.S. and N.O.S. (Not Illustrated)	2
23	022854	SCALE - (Not Illustrated)	1