

Parts Catalog

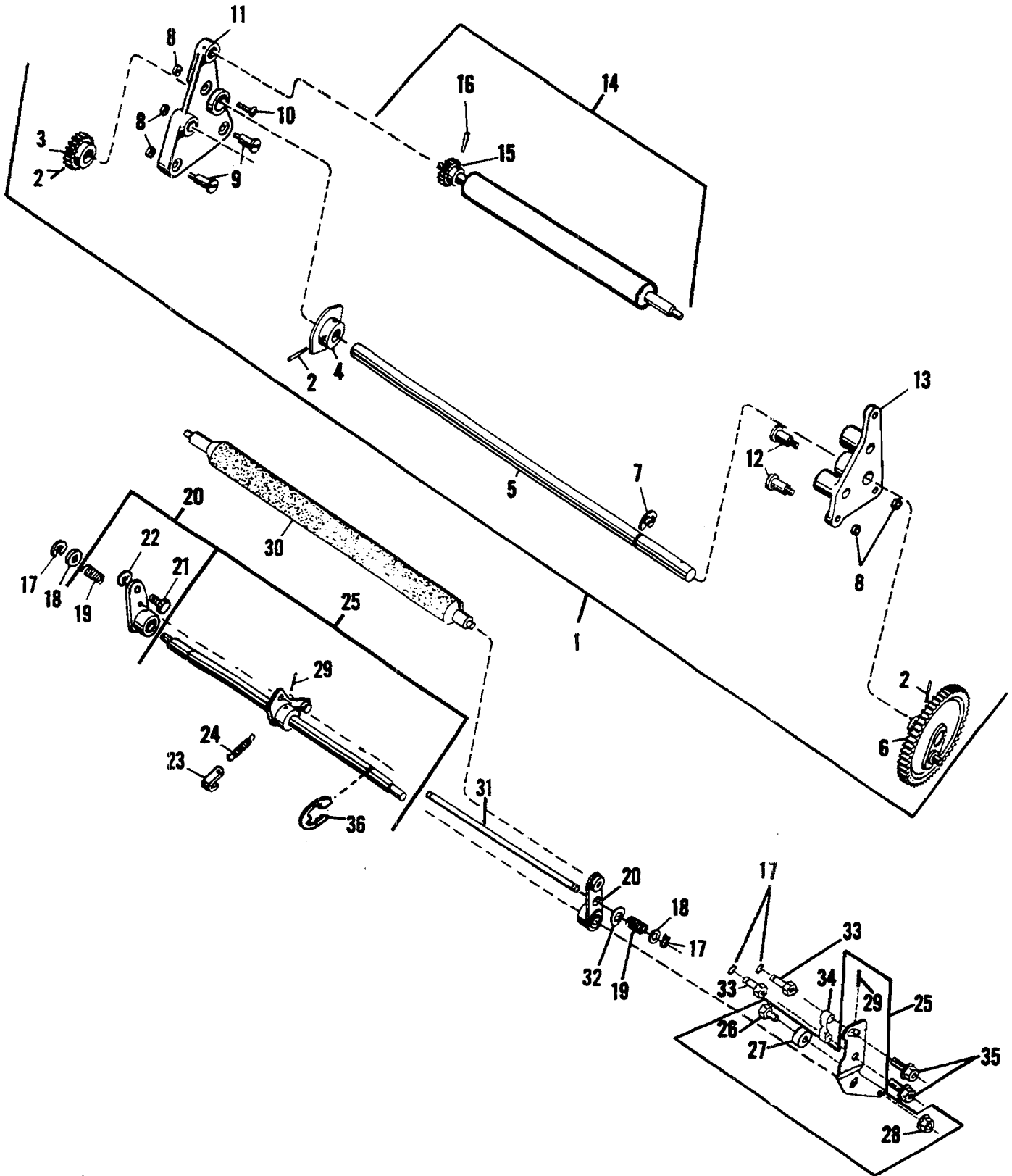


FIGURE 14
MODEL 9815/9850 Ink Distributor and Ductor Rollers

Parts Catalog

Index No.	Part No.	MODEL 9805/9850 Figure 14 Description	Units Per Assy.
1	017989	CAM SHAFT.....	1
2	001956	PIN - Taper, .156 O.D. x .968 O.A.L.....	3
3	079912	GEAR CAM SHAFT.....	1
4	*017990	CAM - Cam Shaft.....	1
5	*007585	SHAFT - Cam.....	1
6	*076727	GEAR - Cam Shaft.....	1
7	001094	RING - Retaining, .399 I.D.....	5
8	150085	NUT - 1/4-28.....	2
9	073123	SCREW - Shoulder, 1/4-28.....	2
10	014180	SCREW - 1/4-28 x 1.000.....	1
11	073120	BEARING - Bracket, N.O.S.....	1
12	073094	SCREW - Shoulder, 1/4-28.....	2
13	073091	BEARING - Bracket, O.S. (TD and CD).....	1
13	078639	BEARING - Bracket, O.S. (QP, QPC and PRO).....	1
14	007549	ROLLER AND GEAR - Distributor, Nylon.....	1
15	*073059	GEAR.....	1
16	101332	PIN - Spiral, .103 O.D. x .760 O.A.L.....	1
17	001049	RING - Retaining, .277 I.D.....	2
18	021203	WASHER - .255 I.D. x .500 O.D.....	2
19	054409	SPRING - Compression, 21/64 I.D. x 1-13/16 O.A.L.....	1
20	084422	LEVER ASSEMBLY - Ductor.....	2
21	084421	BUSHING - Special, .253 I.D.....	1
22	001047	RING - Retaining, .340 I.D.....	1
23	073107	ANCHOR - Spring.....	1
24	072625	SPRING - Tension, 11/32 O.D. x 1-1/8 O.A.L.....	1
25	017633	SHAFT ASSEMBLY - Actuating.....	1
26	077459	SCREW - Eccentric, 10-32.....	1
27	193774	TRUCK.....	1
28	150083	NUT - 10-32.....	1
29	014902	PIN - Taper, .750 O.A.L.....	2
30	007591	ROLLER - Ductor, Rubber.....	1
31	016937	BAR - Tension.....	1
32	014741	WASHER - Spring, .267 I.D. x .572 O.D.....	1
33	017639	STAND-OFF.....	2
34	017640	SPRING - Lockout.....	1
35	111053	SCREW - 10-32 x 7/16.....	2
36	001098	RING - Retaining, .3391 I.D.....	1

*Not Procurable Separately