

# Parts Catalog

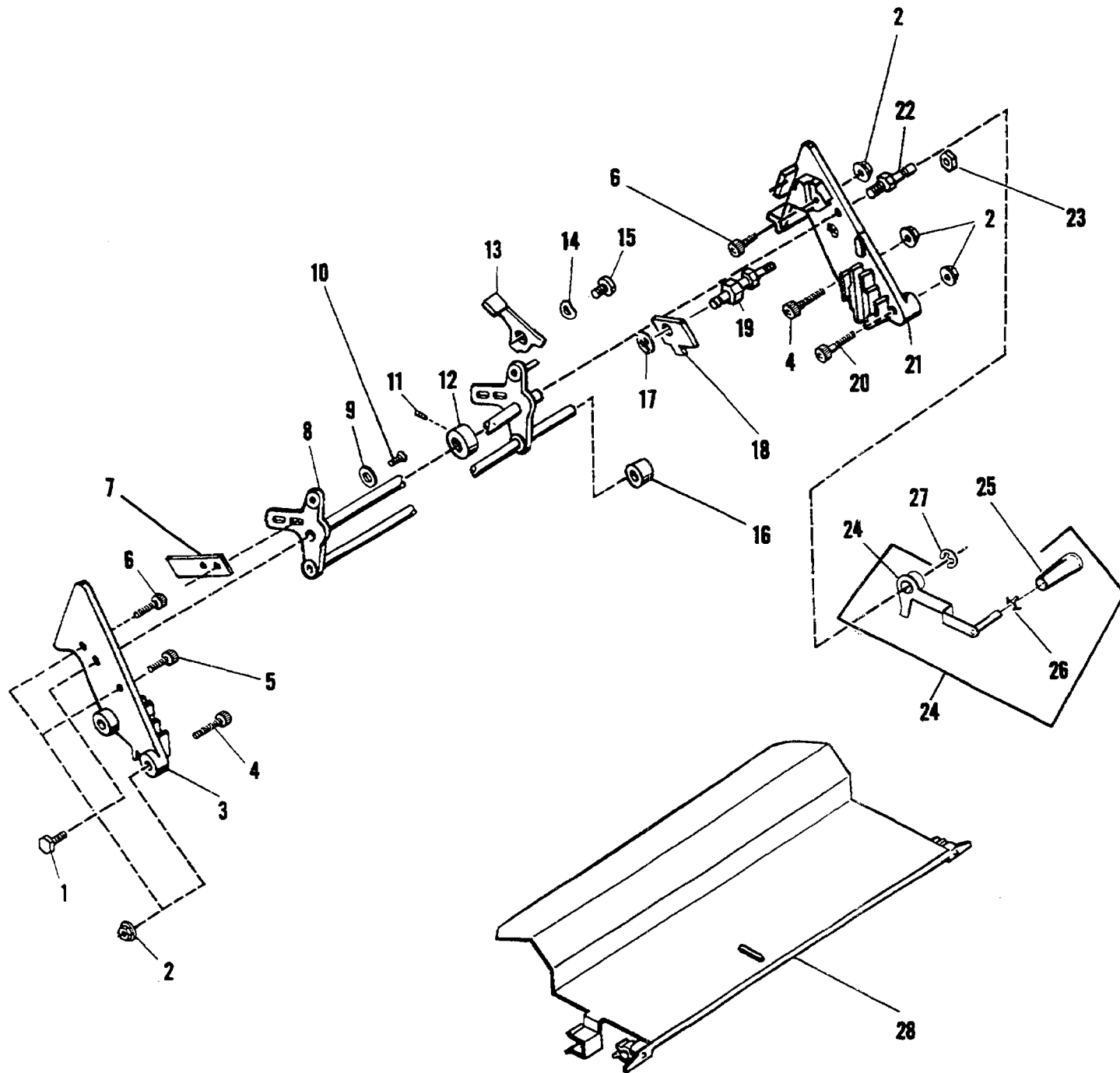


FIGURE 12  
MODEL 9815/9850 Ink Bridge and Drip Tray

# Parts Catalog

Index No.	Part No.	MODEL 9805/9850 Figure 12 Description	Units Per Assy.
1	193601	SCREW - Shoulder, 5/16-24.....	1
2	150085	NUT - 1/4-28.....	6
3	078628	BRIDGE - Ink, N.O.S.....	1
4	100815	SCREW - 1/4-28 x 1-1/4.....	3
5	100653	SCREW - 1/4-28 x 3/4.....	2
6	014234	SCREW - 1/4-28 x 1.000.....	2
7	078638	SLIDE - Adjusting.....	2
8	078669	LEVER ASSEMBLY.....	1
9	021861	WASHER - .196 I.D. x .437 O.D.....	4
10	014350	SCREW - 10-32 x 5/16.....	4
11	014372	SCREW - Set, 10-32 x 1/4.....	1
12	063206	COLLAR.....	1
13	082421	LEVER - Toggle.....	1
14	014745	WASHER - Spring, .342 I.D. x .630 O.D.....	1
15	063087	SCREW - Shoulder, 10-32.....	1
16	195681	SPACER.....	1
17	001060	RING - Retaining, .208 I.D.....	2
18	078646	STOP - Lever.....	2
19	195686	STUD - 10-32.....	2
20	100814	SCREW - 1/4-28 x 1 1/2.....	1
21	078626	BRIDGE - Ink, O.S.....	1
22	078660	STUD - Pivot, 5/16-24.....	1
23	014808	NUT - 10-32.....	2
24	017704	LEVER ASSEMBLY.....	1
24	018542	LEVER ASSEMBLY (9840 B).....	1
25	011371	HANDLE.....	1
25	017593	HANDLE (9840 B).....	1
26	072052	LOCK - Spring.....	1
27	001095	RING - Retaining, .245 I.D.....	1
28	017641	TRAY ASSEMBLY.....	1