

# Parts Catalog

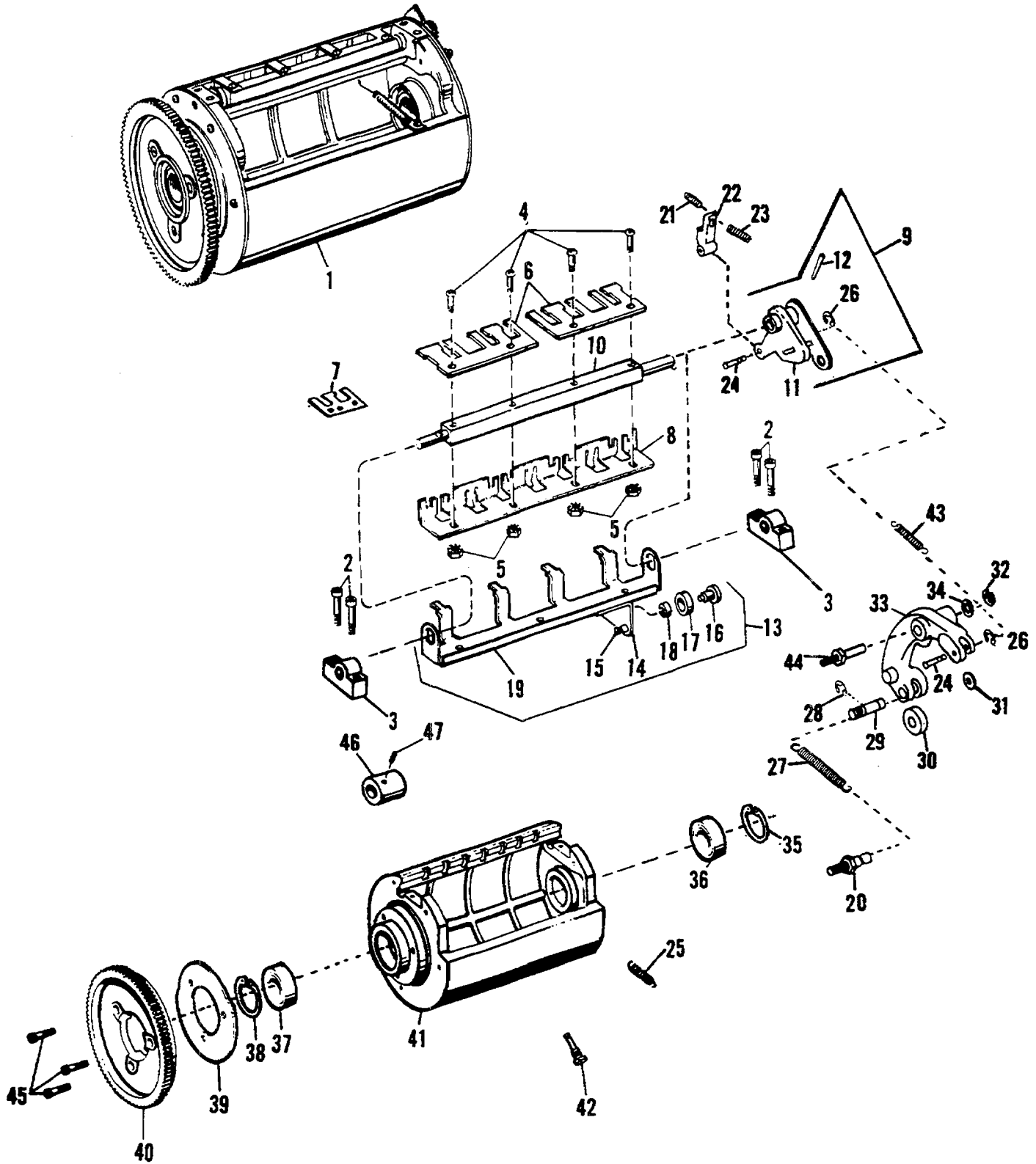


FIGURE 31  
MODEL 9815/9850 Impression Cylinder Assembly

# Parts Catalog

Index No.	Part No.	MODEL 9805/9850 Figure 31 Description	Units Per Assy.
1	***009650	CYLINDER ASSEMBLY - Impression, CD, QPC & PRO .....	1
1	***009670	CYLINDER ASSEMBLY - Impression, TD & QP .....	1
2	014165	SCREW - 1/4-28 x 1.000 .....	4
3	007764	BEARING BLOCK - Gripper .....	2
4	014205	SCREW - 10-32 x 13/16 .....	6
5	014808	NUT- 10-32 .....	6
6	007731	FINGER - Gripper Impression Cylinder .....	2
7	007986	FINGER - Gripper Impression Cylinder .....	1
8	007984	PAPER STOP - Gripper Impression Cylinder .....	1
9	007613	GRIPPER SHAFT ASSEMBLY .....	1
10	*007614	GRIPPER SHAFT .....	1
11	*007664	LEVER ASSEMBLY .....	1
12	190111	PIN - Taper .....	1
13	007762	STRIPPER FINGER ASSEMBLY (TD Only) .....	1
14	*078729	ARM - Truck .....	1
15	*070226	STUD - Spring .....	1
16	072441	RIVET .....	1
17	072367	TRUCK .....	1
18	072366	BUSHING .....	1
19	*007763	FINGER - Stripper .....	1
20	191360	STUD - Spring .....	1
21	100130	SCREW - Set, 10-32 x 1.000 .....	1
22	081104	ARM - Overload .....	1
23	190135	SPRING - Compression, .350 O.D. x 1.000 O.A.L. x .045 .....	1
24	194804	PIN - Special .....	2
25	078744	SPRING - Tension, .406 O.D. x 1.937 O.A.L. x .049 .....	1
26	014504	RING - Retaining, .146 I.D. x .338 O.D. x .027 .....	2
27	191401	SPRING - Tension, 13/32 O.D. x 1-5/16 O.A.L. x .036 .....	1
28	001095	RING - Retaining, .250 I.D. x 1/2 O.D. x .027 .....	1
29	082131	PIN - Special .....	1
30	081106	TRUCK - Special .....	1
31	190107	TRUCK - .190 I.D. x 1/2 O.D. x .240 .....	1
32	001075	RING - Retaining, .397 I.D. x .037 .....	1
33	082135	ARM - Operating .....	1
34	190149	WASHER - .440 I.D. x 11/16 O.D. x .029 .....	1
35	014516	RING - Retaining, 2-7/16 O.D. x .081 .....	1
36	080814	BEARING - Ball, 1.1811 I.D. x 2.440 O.D. x .6299 .....	1
37	078520	BEARING - Ball, .9843 I.D. x 2.0472 O.D. x .5906 .....	1
38	001066	RING - Retaining, 2.250 O.D. x .081 .....	1
39	078712	CAM .....	1
40	009652	GEAR - Impression Cylinder .....	1
41	009651	CYLINDER - Impression, CD, QPC & PRO .....	1
41	009671	CYLINDER - Impression, TD & QP .....	1
42	076100	SPRING ANCHOR .....	1
43	193982	SPRING - Tension, .312 O.D. x .781 O.A.L. x .031 .....	1
44	196669	STUD - Tray .....	1
44	191361	STUD - Chain .....	1
45	014157	SCREW - 1/4-28 x 1-1/4 .....	3
46	082128	COLLAR - 1-11/16 O.D. x 1.183 I.D. x 2-5/32 O.A.L. ....	1
47	014206	SCREW - Set, 1/4-28 x 3/8 .....	2

\*Not Procurable Separately

\*\*\*Not Available As An Assembly