

# Parts Catalog

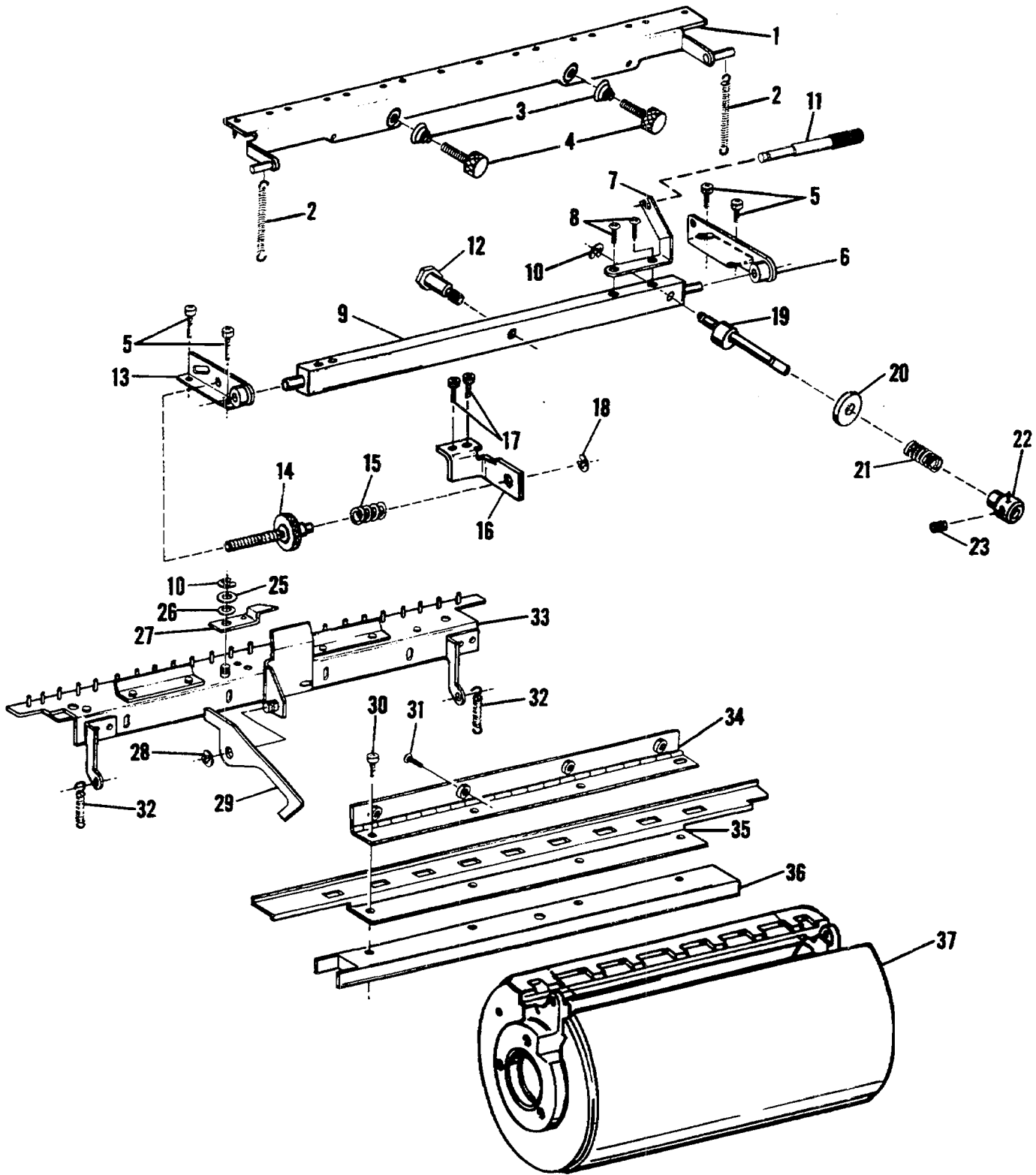


FIGURE 21A  
MODEL 9815/9850 Improved Head Clamp

# Parts Catalog

Index No.	Part No.	MODEL 9805/9850 Figure 21A Description	Units Per Assy.
1	009774	TAIL CLAMP ASSEMBLY .....	1
2	190137	SPRING - 13/32 O.D. x 2-5/8 O.A.L. ....	2
3	192997	SPRING - Conical, .270 I.D. x .530 I.D. x 19/32 O.A.L. ....	2
4	192919	SCREW - 1/4-28 x 7/8 .....	2
5	014215	SCREW - 10-32 x 3/8 .....	4
6	009788	BRACKET - Clamp, N.O.S. ....	1
7	009780	BRACKET - Clamp, Positioning .....	1
8	001106	SCREW - 10-32 x 5/16 .....	2
9	018602	BAR .....	1
10	001060	RING - Retaining, .208 I.D. ....	2
11	194695	PIN - Spring Anchor .....	4
12	196425	SCREW - Pivot .....	1
13	018595	BRACKET - Clamp, O.S. ....	1
14	018594	KNOB - Lateral Adjustment .....	1
15	190329	SPRING - Compression, 11/32 I.D. x 3/8 O.A.L. ....	1
16	018596	BRACKET - Lateral Adjustment .....	1
17	014250	SCREW - Cap, 8-32 x 3/8 .....	2
18	014504	RING - Retaining, .146 I.D. ....	1
19	018593	ECCENTRIC - Swivel Adjustment .....	1
20	195837	WASHER - 17/64 I.D. x 3/4 O.D. x .125 .....	1
21	077836	SPRING - Compression, 25/64 O.D. x 23/32 O.A.L. ....	1
22	018599	KNOB ASSEMBLY- Swivel Adjustment .....	1
23	001207	SCREW - Set, 8-32 x 3/16 .....	1
25	021203	WASHER - .255 I.D. x .500 O.D. ....	1
26	001725	WASHER - Spring, 17/64 I.D. x 7/16 O.D. ....	1
27	009777	LEVER - Lockout .....	1
28	001095	RING - Retaining, .245 I.D. ....	1
29	009796	LEVER .....	1
30	014215	SCREW - Cap, 10-32 x 3/8 .....	4
31	001588	SCREW - 10-32 x 1/4 .....	4
32	080238	SPRING - 17/64 I.D. x 2.000 O.A.L. ....	2
33	018623	CLAMP ASSEMBLY - Universal .....	1
34	009757	HINGE ASSEMBLY .....	1
35	018604	PLATE - Clamp .....	1
36	018603	BAR - Radial Adjustment .....	1
37	009751	MASTER CYLINDER .....	1
38	018624	HEAD CLAMP ASSEMBLY .....	1