

Parts Catalog

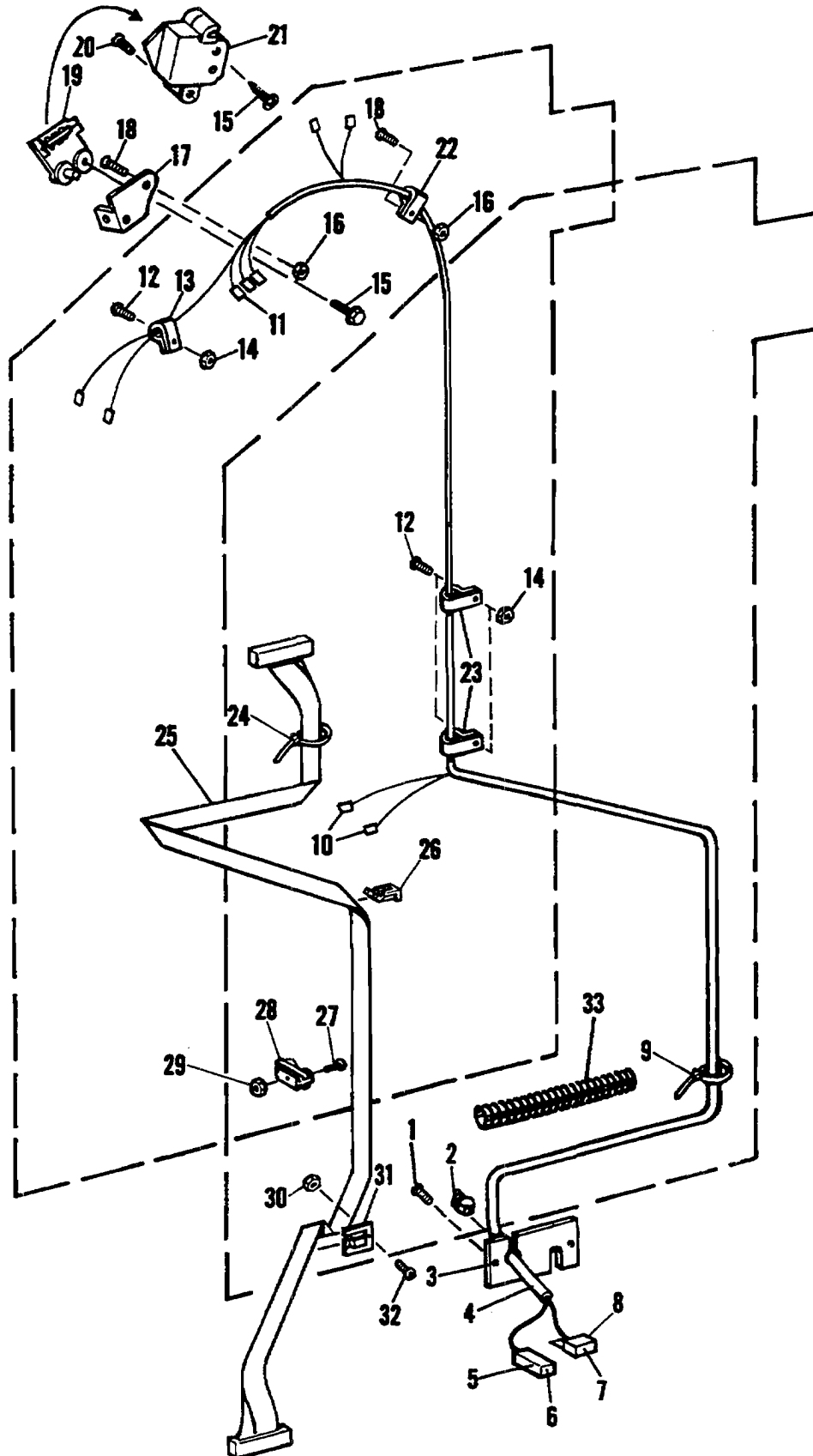


FIGURE 54
MODEL 9815/9850 Harness Assembly - O.S.

Parts Catalog

Index No.	Part No.	MODEL 9805/9850 Figure 54 Description	Units Per Assy.
1	111034	SCREW - 8-32 x 3/8	2
2	275005	STRAIN RELIEF	1
3	017700	PLATE - Strain Relief	1
4	017838	HARNESS ASSEMBLY - O.S., Optical	1
4	017489	HARNESS ASSEMBLY - O.S., Hall Effect	1
5	251508	HOUSING - Socket (4)	1
6	251089	TERMINAL - Socket	4
7	252989	TERMINAL - Female	11
8	252990	HOUSING - Connector (14)	1
9	250077	TIE - Cable	56
10	250062	TERMINAL - Female	8
11	251426	TERMINAL - Flag, Female	1
12	100134	SCREW - 8/32 x 1/2	3
13	250202	CLAMP - Cable, 1/8	1
14	014811	NUT - 8-32	3
15	120032	SCREW - 10-16 x 1/2	3
16	014808	NUT - 10-32	3
17	007989	COVER - Reed Switch	1
18	001555	SCREW - 10-32 x 1/2	3
19	076864	SWITCH ASSEMBLY - Reed	2
20	014203	SCREW - 10-32 x 5/8	20
21	007815	COVER - Reed Switch	1
22	200049	CLAMP - Cable, 1/4	1
23	250203	CLAMP - Cable, 1/4	2
24	250493	TIE - Cable	1
25	017864	CABLE ASSEMBLY - Ribbon (Keyboard To Control Box)	1
27	200347	SCREW - Flat Head, 6-32 x 3/8	4
9	014812	NUT - 6-32	4
0	100716	NUT - Lock, 6-32	1

For 48-dash 9805/50 240V 50Hz. United Kingdom Machines

4	010433	HARNESS ASSEMBLY - O.S.	United Kingdom	1
---	--------	------------------------------	----------------------	---