

Parts Catalog

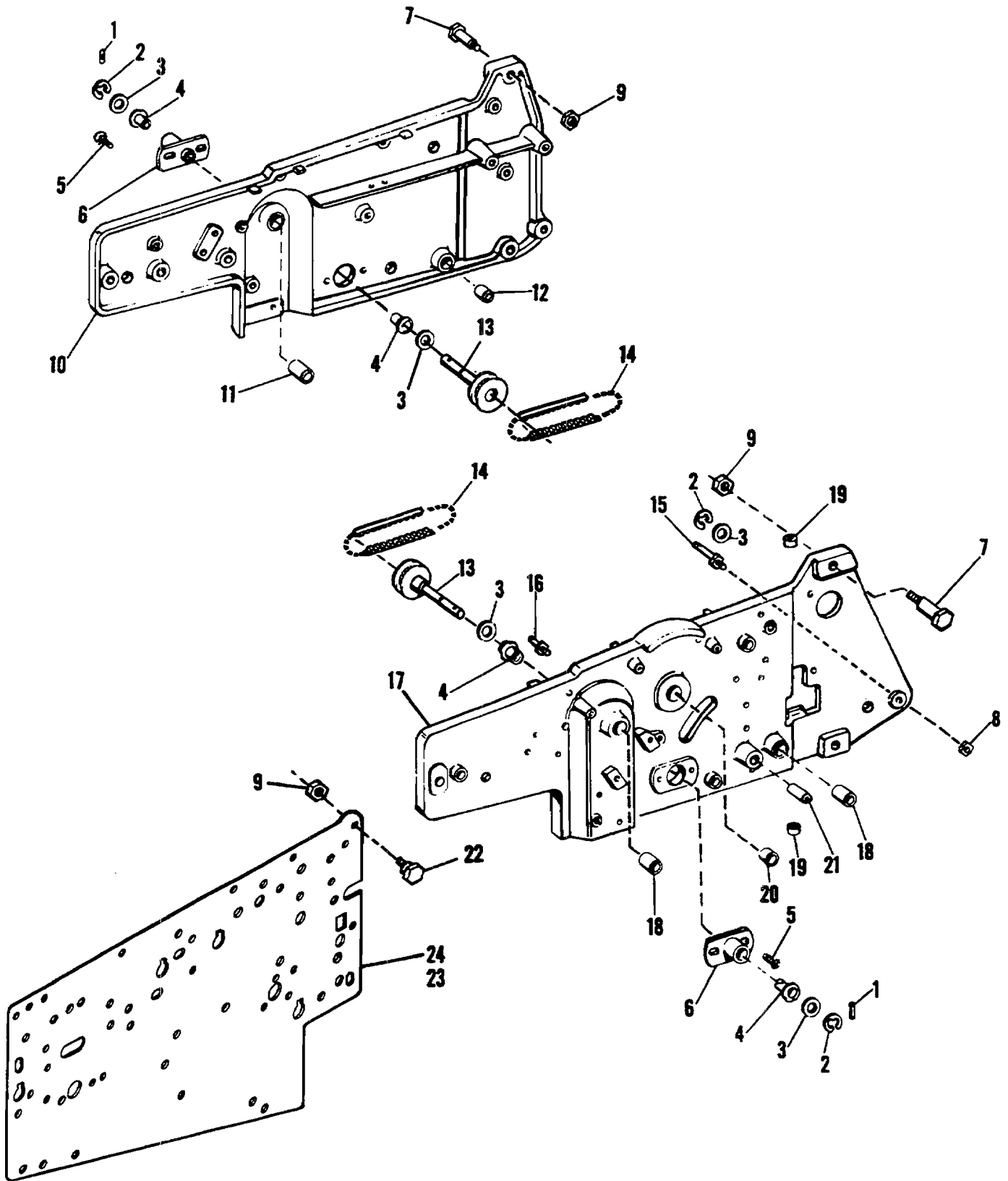


FIGURE 70
MODEL 9815/9850 Frame Assemblies C.D.

Parts Catalog

Index No.	Part No.	MODEL 9805/9850 Figure 70 Description	Units Per Assy.
1	>001980	PIN - Roll, .135 O.D. x .640 O.A.L.	2
2	>001080	RING - Retaining, .302 I.D. x .037	3
3	>001721	WASHER - .380 I.D. x .625 O.D. x .059	5
4	>066763	BEARING - Flanged, Nylon, .376 I.D. x .593 O.D.	4
5	>111054	SCREW - 10-32 x 1/2	4
6	>073777	PLATE ASSEMBLY - Sprocket Assembly	2
7	>081788	SCREW - Shoulder, 3/8-24	4
8	>150084	NUT - 1/4-20	1
9	+150089	NUT - 3/8-24	4
10	017786	FRAME ASSEMBLY - Aluminum, N.O.S.	1
11	014647	BEARING - .634 I.D. x .752 O.D. x 1.000	1
12	014648	BEARING - .634 I.D. x .752 O.D. x .625	1
13	>017592	PULLEY ASSEMBLY - Timing	2
14	>194836	BELT - Timing	2
15	>081541	STUD - Lever Mounting	1
16	>081542	STUD - Locking Lever Spring	1
17	017785	FRAME ASSEMBLY - Aluminum, O.S.	1
18	014647	BEARING - .634 I.D. x .752 O.D. x 1.000	2
19	001445	BUSHING - .316 I.D. x .441 O.D. x .250	2
20	014638	BEARING - Flanged, .377 I.D. x .501 O.D. x .505	1
21	014646	BUSHING - .504 I.D. x .629 O.D. x 1.250	1
22	196387	SCREW - Dowel, 3/8-24	4
23	016407	FRAME - N.O.S. (Not Illustrated)	1
23	016209	FRAME - N.O.S. Square Corners (Not Illustrated)	1
24	016406	FRAME - O.S.	1
24	016208	FRAME - O.S. Square Corners	1

>For Chain Delivery With Aluminum Frames

For 48-dash 9805/50 240V 50Hz. United Kingdom Machines

23	018342	FRAME-N.O.S.	United Kingdom	1
----	--------	-------------------	----------------------	---