

Parts Catalog

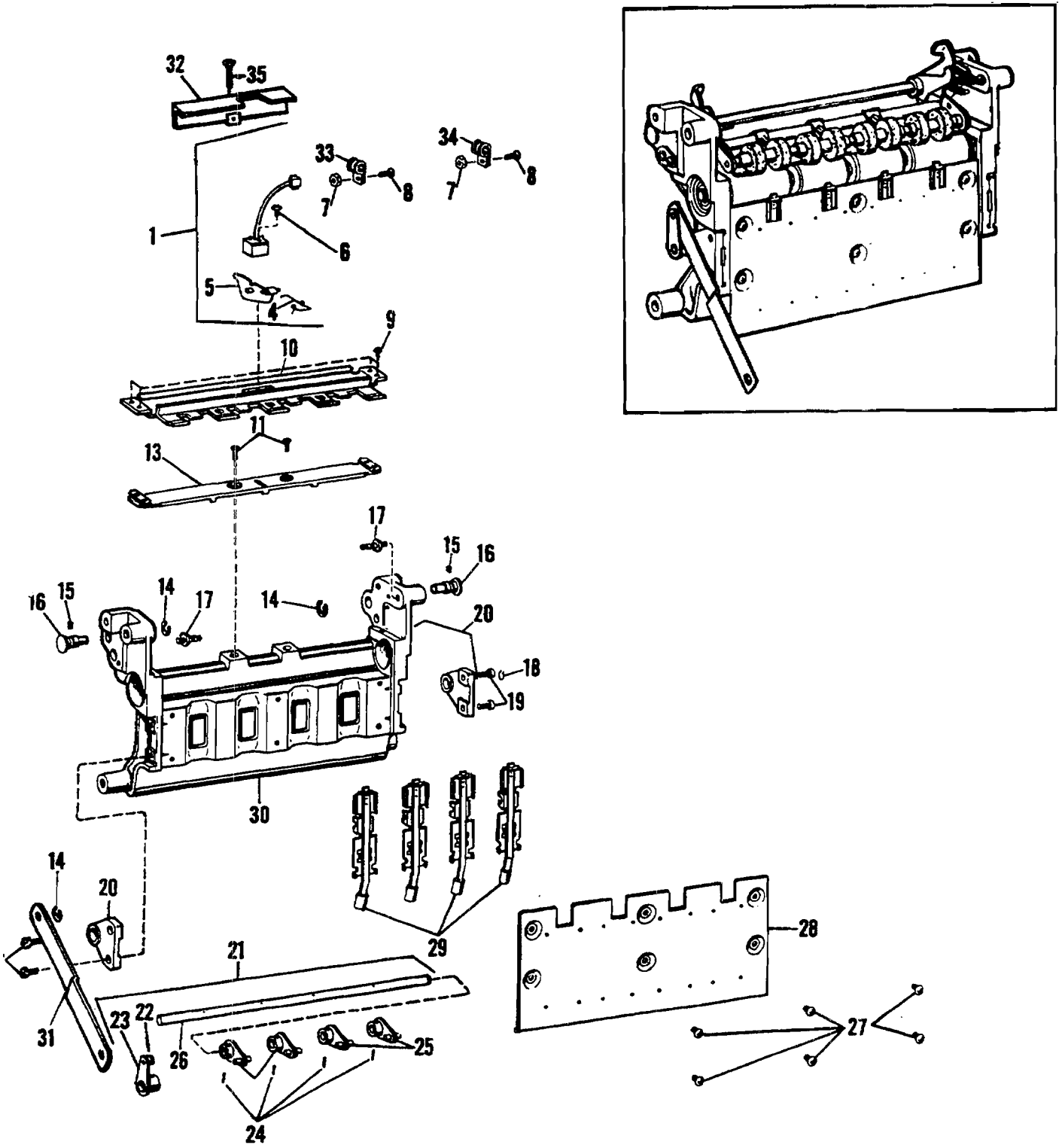


FIGURE 41
MODEL 9815/9850 Main Tie Bar Assembly - Part II

Parts Catalog

Index No.	Part No.	MODEL 9805/9850 Figure 41 Description	Units Per Assy.
1	009532	PAPER SENSOR	1
4	009535	SPRING - Torsion, Interrupter	1
5	009536	INTERRUPTER - Sensor	1
6	100678	SCREW - 4-40 x 5/8	1
7	014811	NUT - 8-32	2
8	014369	SCREW - 8-32 x 3/8	2
9	001687	SCREW - 8-32 x 1/2	4
10	009538	PAPER CHUTE - Upper	1
11	001542	SCREW - 10-32 x 7/16	1
12	191308	SPACER - Paper Chute (Old Design Not Illustrated)	2
13	016325	PAPERCHUTE - Lower	1
14	001080	RING - Retaining, .302 I.D. x .660 O.D. x .037	3
15	014372	SCREW - Set, 10-32 x 1/4	2
16	072099	PIVOT - Segment Roller Shaft	2
17	072106	SPRING ANCHOR	2
18	001046	RING - Snap, .283 I.D. x .027	1
19	014158	SCREW - 10-32 x 1/2	4
20	073712	BEARING BRACKET ASSEMBLY - Finger Operating	2
21	017133	SHAFT ASSEMBLY - Finger Operating	1
22	000020	PIN - Taper, .112 O.D. x .625 O.A.L.	1
23	*072134	LEVER - Finger Operating	1
24	001984	PIN - Roll, .103 O.D. x .640 O.A.L.	6
25	*072136	LEVER - Finger Operating	6
26	*007650	SHAFT - Finger Operating	1
27	001106	SCREW - 10-32 x 5/16	6
28	017134	APRONASSEMBLY	1
29	072143	FINGER AND TUBE ASSEMBLY	6
30	009537	CASTING - Main Tie Bar	1
31	080411	LINK	1
32	018402	COVER - Plastic	1
33	100483	CLAMP - Cable, 1/8 I.D.	1
34	250202	CLAMP - Cable, 1/8 I.D.	1
35	122502	SCREW - 4-40 x 5/16	1

*Not Procurable Separately