

Parts Catalog

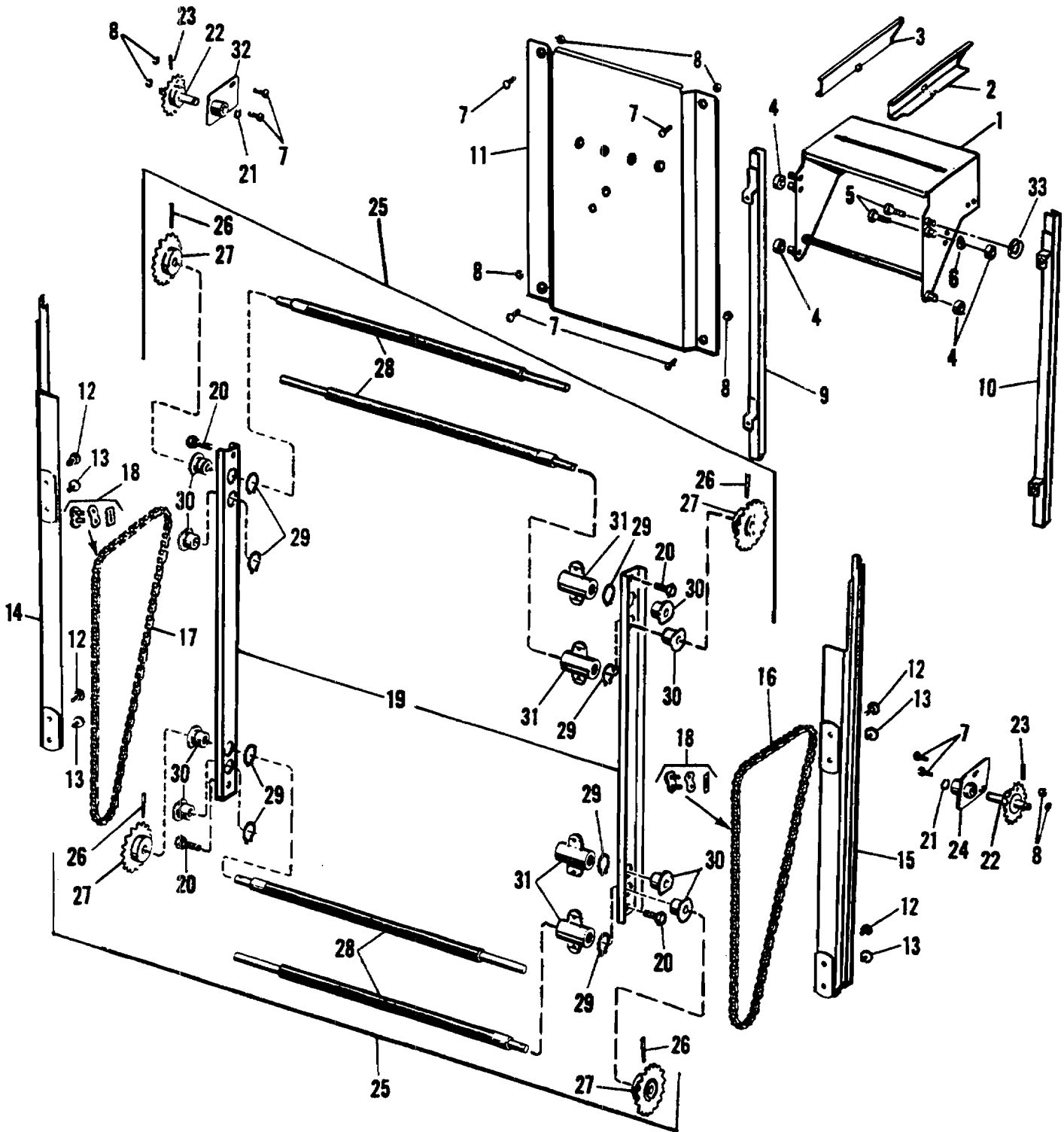


FIGURE 60
MODEL 9815/9850 Feed Table and Feed Adjusting Mechanism

Parts Catalog

Index No.	Part No.	MODEL 9805/9850 Figure 60 Description	Units Per Assy.
1	017682	FEED TABLE ASSEMBLY	1
1	018529	FEED TABLE ASSEMBLY - 9840 B	1
2	011431	SUPPORT GUIDE - O.S.	1
2	078830	SUPPORT GUIDE - O.S. - 9840 B	1
3	011432	SUPPORT GUIDE - N.O.S.	1
3	078831	SUPPORT GUIDE- N.O.S. - 9840 B	1
4	072029	TRUCK - Feed Table	4
5	001690	SCREW - 10-32 x 5/16	2
6	073473	BRACKET - Trip	1
7	111073	SCREW - 1/4-28 x 5/8	12
8	150085	NUT - 1/4-28	12
9	011052	CHANNEL ASSEMBLY - N.O.S.	1
10	011051	CHANNEL ASSEMBLY - O.S.	1
11	017167	PANEL- Cover, (M9815/M9850) (Old Design)	1
11	008109	PANEL- Cover (M9805/M9810) (Old Design)	1
11	010081	PANEL - Cover & Motor Mount (New Design)	1
12	016327	SCREW - Shoulder, 10-32	4
13	016060	SCREW - 10-32 x 3/8	4
14	087266	GUIDE ASSEMBLY - N.O.S. (with Micro Lateral)	1
14	072070	GUIDE ASSEMBLY - N.O.S. (without Micro Lateral)	1
15	072069	GUIDE ASSEMBLY - O.S.	1
16	072024	CHAIN - Table Adjusting, O.S.	1
17	072037	CHAIN - Table Adjusting, N.O.S.	1
18	071576	LINK - Master	1
19	072063	BRACKET- Guide Screw Bearing	2
20	111089	SCREW - 5/16-24 x 5/8	4
21	001048	RING - Retaining, .463 I.D.	2
22	013947	SPROCKET ASSEMBLY - Table Adjusting	2
23	001980	PIN - Roll, .135 O.D. x .640 O.A.L.	2
24	011077	BRACKET ASSEMBLY - N.O.S.	1
25	007533	SCREW ASSEMBLY - Feed Table Guide	4
26	000024	PIN - Taper, .176 O.D. x 1.141 O.A.L.	4
27	*072044	SPROCKET - 15 Tooth	4
28	*007534	SCREW	4
29	100119	RING - Retaining, .815 I.D.	8
30	072064	BEARING - Guide Screw	4
31	084473	BEARING - Guide Screw	4
32	011076	BRACKET ASSEMBLY - O.S.	1
33	001095	RING - Retaining, .245 I.D.	2

*Not Procurable Separately

Supply Items

9122 - 11"x17" Paper Support Boards, 12 per carton

9123 - 8-1/2"x11", 14" Paper Support Boards 12 per carton