

Parts Catalog

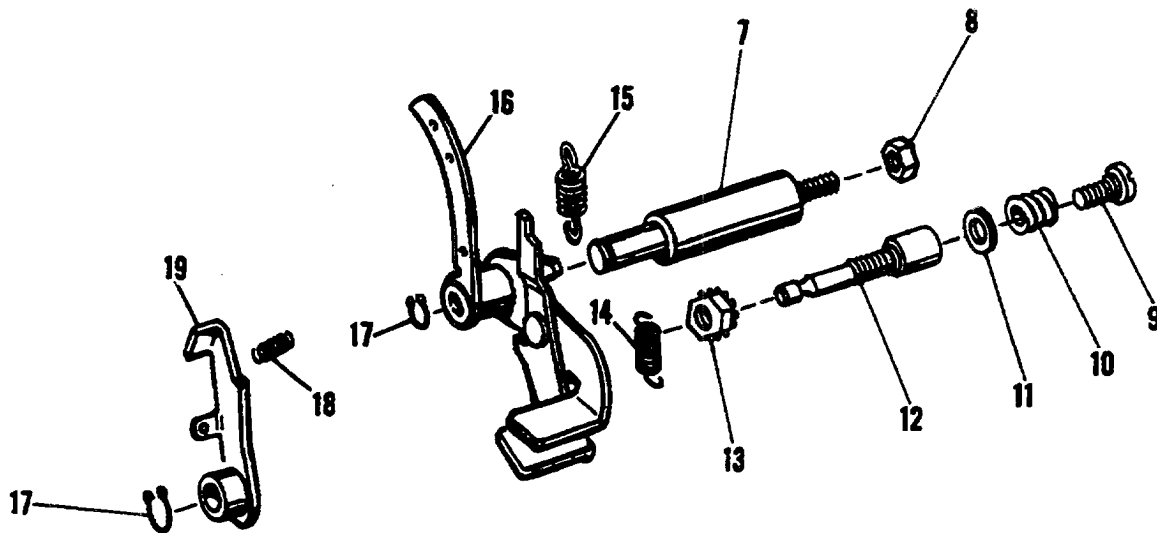
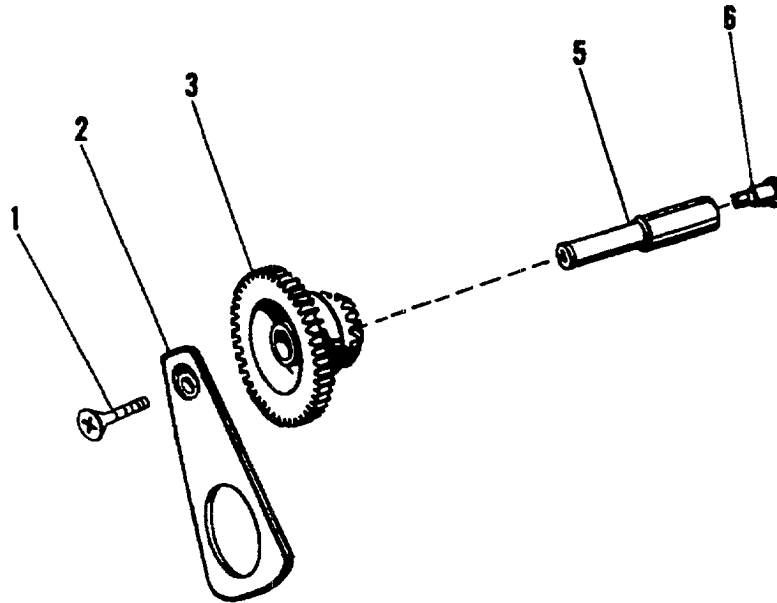


FIGURE 44
MODEL 9815/9850 Feed Table Release Lever

Parts Catalog

Index No.	Part No.	MODEL 9805/9850 Figure 44 Description	Units Per Assy.
1	001542	SCREW - 10-32 x 7/16	1
2	080184	PLATE	1
3	072561	MITER AND SPUR GEAR	1
5	007937	STUD - Miter and Spur Gear	1
6	194805	SCREW - Shoulder, 3/8-24.....	1
7	072610	STUD - Table Release Lever, 3/8-24	1
8	150089	NUT - 3/8-24	1
9	080408	SCREW - 5/16-24	1
10	080420	SPRING - Compression, .728 O.D. x 1.062 O.A.L.	1
11	001797	WASHER - .515 I.D. x .812 O.D. x .059	1
12	080407	STUD - Table Release Lever Spring	1
13	014810	NUT - 3/8-24	1
14	072626	SPRING - Tension, .300 O.D. x .937 O.A.L.	1
15	041291	SPRING - Tension, .343 O.D. x .968 O.A.L.	1
16	013827	TABLE RELEASE LEVER ASSEMBLY	1
17	001047	RING - Retaining, .340 I.D. x .027	2
18	041777	SPRING - Compression, .312 O.D. x 1.344 O.A.L.	1
19	072484	UPPER LATCH LEVER	1