

Parts Catalog

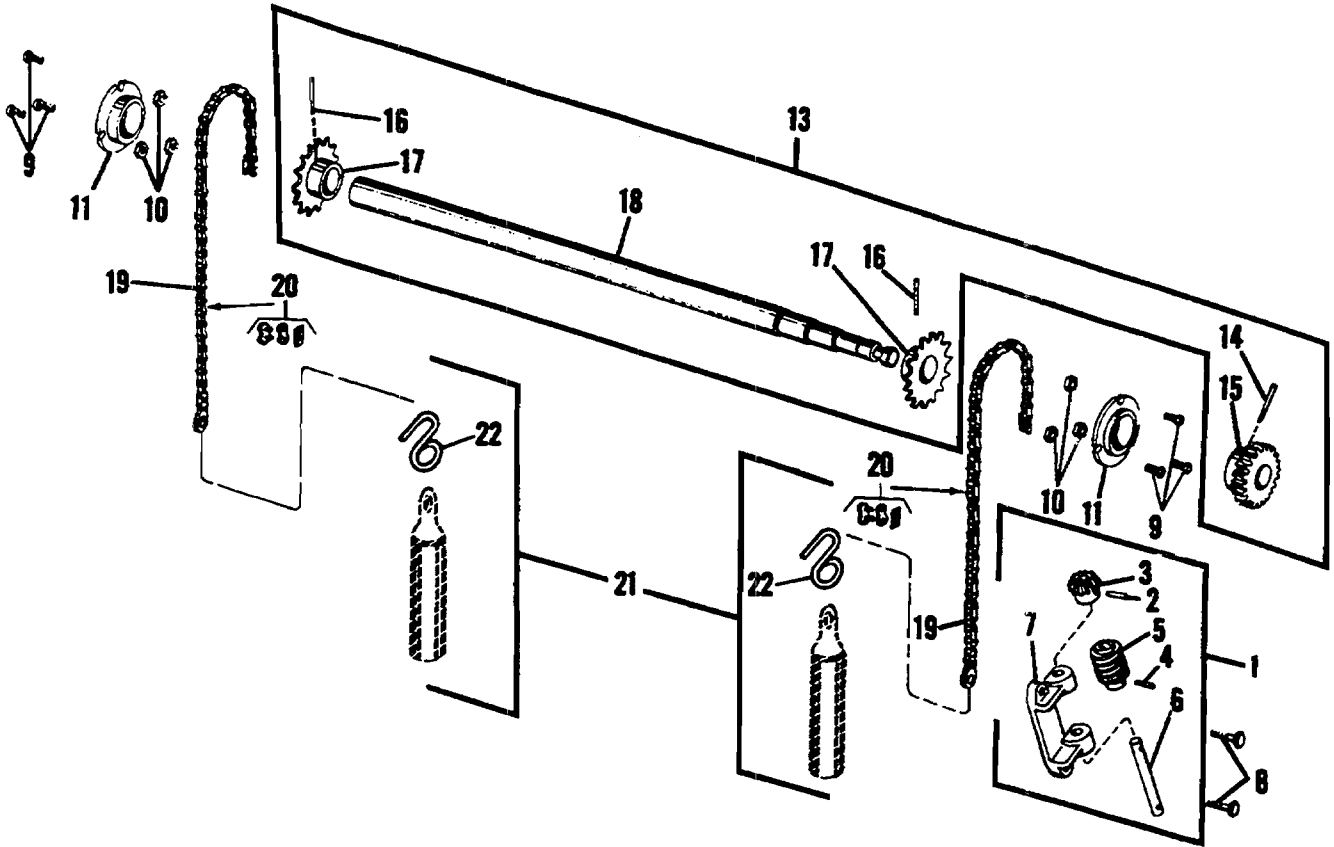


FIGURE 61
MODEL 9815/9850 Table Raising Mechanism

Parts Catalog

Index No.	Part No.	MODEL 9805/9850 Figure 61 Description	Units Per Assy.
1	080334	MITER AND WORM GEAR ASSEMBLY	1
2	100966	PIN - Spiral, .182 O.D. x .822 O.A.L.	1
3	*081607	GEAR	1
4	001920	PIN - Taper, .149 O.D. x .786 O.A.L.	1
5	*072636	GEAR - Worm	1
6	*072574	SHAFT	1
7	080337	BRACKET - Miter and Worm	1
8	072575	SCREW - 1/4-28	2
9	001555	SCREW - 10-32 x 1/2	6
10	024248	NUT - 10-32	6
11	072599	BEARING ASSEMBLY	2
13	017151	SHAFT ASSEMBLY - Table Raising	1
14	149385	PIN - Spiral, .152 O.D. x 1.250 O.A.L.	1
15	*080336	GEAR	1
16	001936	PIN - Taper, 1.250 O.A.L.	2
17	*072041	SPROCKET	2
18	*017150	SHAFT	1
19	072035	CHAIN ASSEMBLY - Table Raising	2
20	071576	LINK - Master	1
21	072077	WEIGHT ASSEMBLY	2
22	194835	HOOK	1

*Not Procurable Separately