

# Parts Catalog

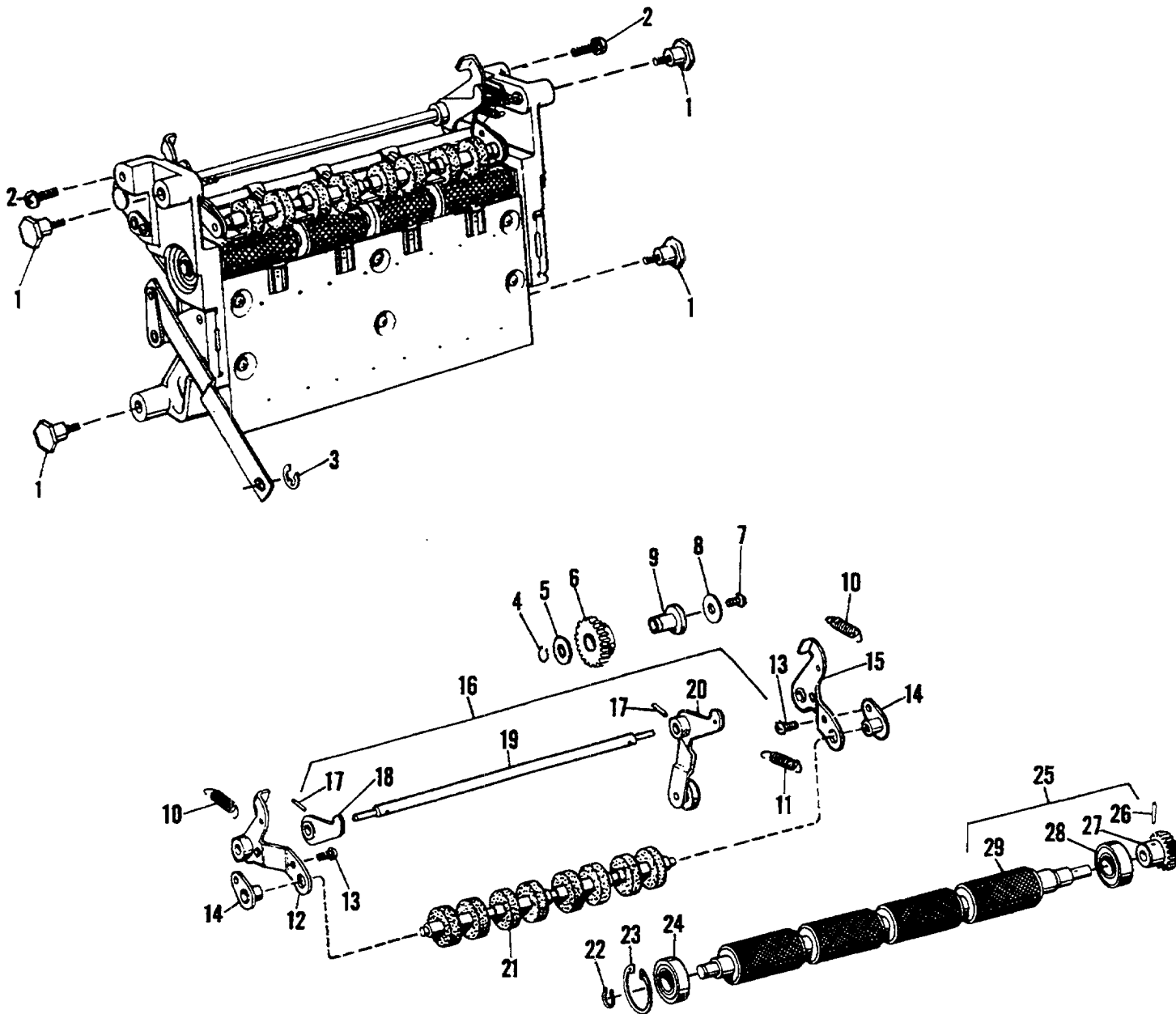


FIGURE 40  
MODEL 9815/9850 Main Tie Bar Assembly - Part I

# Parts Catalog

Index No.	Part No.	MODEL 9805/9850 Figure 40 Description	Units Per Assy.
1	072154	SCREW - Shoulder .....	4
2	111073	SCREW - 1/4-28 x 5/8 .....	2
3	001080	RING - Retaining, .302 I.D. x .660 O.D. x .037 .....	2
4	001047	RING - Snap, .340 I.D. x .027 .....	1
5	014727	WASHER - .380 I.D. x .750 O.D. x .029 .....	1
6	072126	GEAR ASSEMBLY - Idler .....	1
7	111074	SCREW - 1/4-28 x 3/4 .....	1
8	016572	WASHER - .255 I.D. x .875 O.D. x .059 .....	1
9	072220	STUD .....	1
10	041776	SPRING - Tension, .343 O.D. x 1.375 O.A.L. ....	2
11	050435	SPRING - Tension, .250 O.D. x 1.375 O.A.L. ....	1
12	071556	LEVER ASSEMBLY - Segment Roll, R.H. ....	1
13	100701	SCREW - 10-32 x 3/8 .....	2
14	074400	BEARING ASSEMBLY - Segment Roll .....	2
15	078301	LEVER ASSEMBLY - Segment Roll, L.H. ....	1
16	007651	SHAFT ASSEMBLY - Operating Lever .....	1
17	100554	PIN - Roll, .136 O.D. x .760 O.A.L. ....	2
18	*072090	LEVER .....	1
19	*007652	SHAFT .....	1
20	*078417	TRUCK AND LEVER .....	1
21	007641	SHAFT ASSEMBLY .....	1
22	001074	RING - Retaining, .430 I.D. x .027 .....	1
23	001067	RING - Retaining, 1.641 O.D. x .038, internal .....	1
24	072124	BEARING - Lower Forwarding Roller .....	1
25	007647	ROLLER ASSEMBLY .....	1
26	100554	PIN - Spiral, .112 O.D. ....	1
27	*072125	GEAR .....	1
28	072124	BEARING .....	1
29	*007648	ROLLER - Lower Forwarding .....	1

\*Not Procurable Separately