

# Parts Catalog

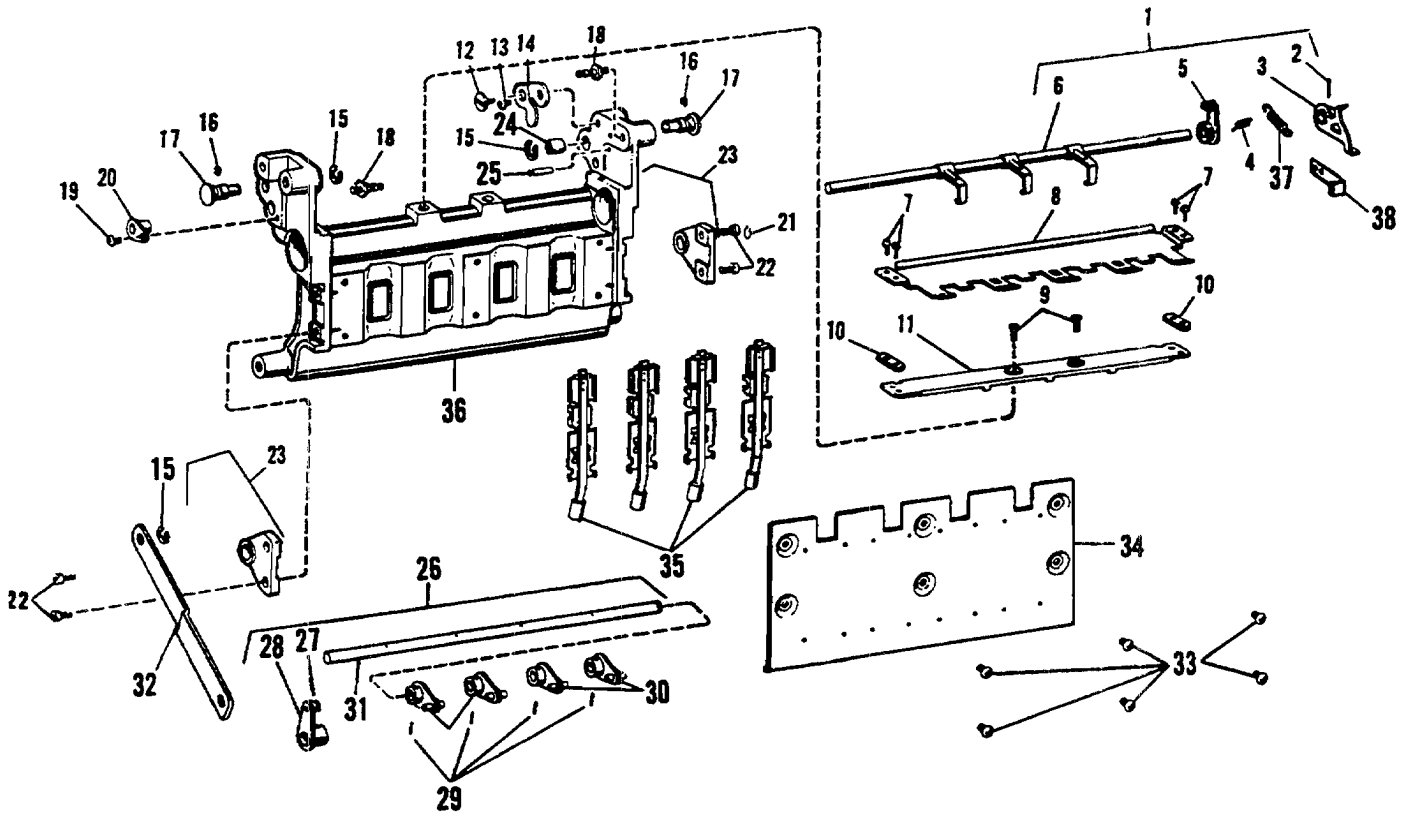
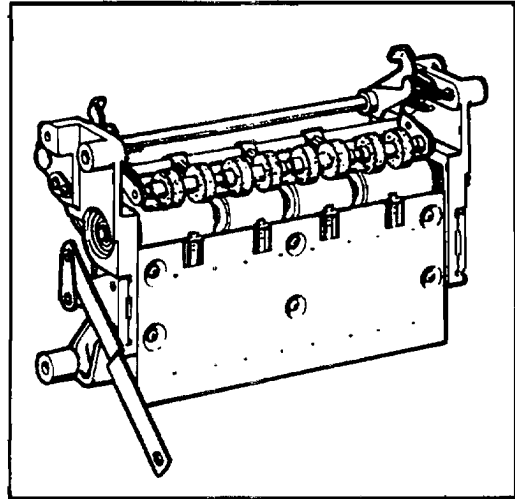


FIGURE 41A  
MODEL 9805/9810 Main Tie Bar Assembly - Mechanical

# Parts Catalog

Index No.	Part No.	MODEL 9805/9850 Figure 41A Description	Units Per Assy.
1	007645	SHAFT ASSEMBLY .....	1
2	001980	PIN - Roll, .135 O.D. x .640 O.A.L. ....	1
3	*072110	LEVER - Paper Feeler Shaft .....	1
4	001650	SCREW - Set, 10-32 x 3/16 .....	1
5	071504	LEVER - Paper Feeler Shaft .....	1
6	*007646	SHAFT - PAPER FEELER .....	1
7	001687	SCREW - 8-32 x 1/2 .....	4
8	007643	PAPER CHUTE - Upper .....	1
9	001542	SCREW - 10-32 x 7/16 .....	2
10	191308	SPACER - Paper Chute .....	2
11	016325	PAPER CHUTE - Lower .....	1
12	072160	SCREW - 1/4-28 .....	1
13	001688	SCREW - 10-32 x 3/8 .....	1
14	072159	LEVER - Paper Feeler Stop .....	1
15	001080	RING - Retaining, .302 I.D. x .660 O.D. x .037 .....	3
16	014372	SCREW - Set, 10-32 x 1/4 .....	2
17	072099	PIVOT - Segment Roller Shaft .....	2
18	072106	SPRING ANCHOR .....	2
19	001688	SCREW - 10-32 x 3/8 .....	1
20	071505	BEARING BRACKET ASSEMBLY - Feeler Shaft .....	1
21	001046	RING - Snap, .283 I.D. x .027 .....	1
22	014158	SCREW - 10-32 x 1/2 .....	4
23	073712	BEARING BRACKET ASSEMBLY - Finger Operating .....	2
24	001462	BUSHING - Main Tie Bar .....	1
25	014562	SPRING ANCHOR .....	1
26	017133	SHAFT ASSEMBLY - Finger Operating .....	1
27	000020	PIN - Taper, .112 O.D. x .625 O.A.L. ....	1
28	*072134	LEVER - Finger Operating .....	1
29	001984	PIN - Roll, .103 O.D. x .640 O.A.L. ....	4
30	*072136	LEVER - Finger Operating .....	4
31	*007650	SHAFT - Finger Operating .....	1
32	080411	SHORT LINK - Finger Operating .....	1
33	001106	SCREW - 10-32 x 5/16 .....	6
34	017134	APRON ASSEMBLY .....	1
35	072143	FINGER AND TUBE ASSEMBLY .....	6
36	009537	CASTING - Main Tie Bar .....	1
37	074508	SPRING - Tension, .250 O.D. x .781 O.A.L. (Light Weight) .....	1
38	074507	SPRING HOOK - (Light Weight) .....	1

\*Not Procurable Separately