

Parts Catalog

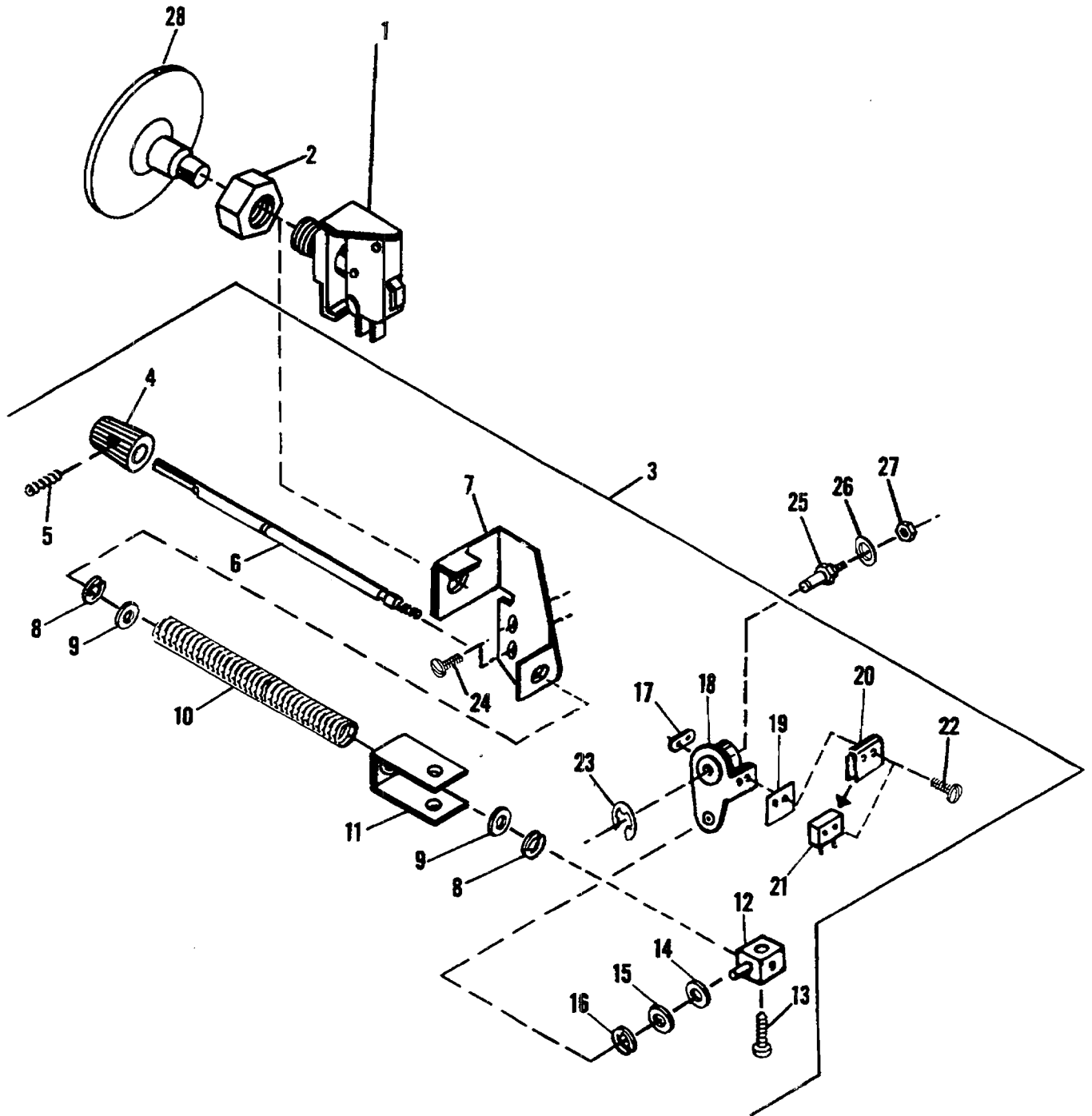


FIGURE 34A
MODEL 9815/9850 Emergency Stop and Doubles Detector Switches

Parts Catalog

Index No.	Part No.	MODEL 9805/9850 Figure 34A Description	Units Per Assy.
1	253853	SWITCH ASSEMBLY - Emergency Stop.....	1
2	195983	NUT - 15/32-32 x .562 O.A.L.	1
3	***016740	SWITCH ASSEMBLY - Doubles Detector	1
4	016916	KNOB.....	1
5	001207	SCREW - Set, 8-32 x 3/16.....	1
6	016541	ROD - Detector Switch Adj.	1
7	018558	BRACKET - Mounting	1
7	087755	BRACKET - Mounting (New Design).....	1
8	001049	RING - Retaining, .227 I.D. x .027	2
9	005071	WASHER - .252 I.D. x .500 O.D.	2
10	196423	SPRING - Compression, 25/64 O.D. x 5" O.A.L.	1
11	016741	BRACKET - Stop	1
12	011948	PIVOT - Detector Adj. Rod	1
13	001588	SCREW - 10-32 x 1/4	2
14	001772	WASHER - Friction, .376 I.D. x .750 O.D.	1
15	014727	WASHER - .375 I.D. x .750 O.D.	1
16	100740	RING - Retaining, .357 I.D. x .045	1
17	190483	NUT PLATE - 2-56	1
18	016739	BRACKET ASSEMBLY - Switch Mount	1
19	017159	INSULATOR - Switch Detector.....	1
20	192855	INSULATOR - Switch	1
21	253025	SWITCH - S.P.D.T., 1 Amp. 125 VAC	1
22	100490	SCREW - 2-56 x 1/2	2
23	014511	RING - Retaining, .430 I.D. x .027	1
24	001589	SCREW - 8-32 x 1/4	2
25	296421	STUD - Switch Pivot, QPC & PRO.....	1
25	196420	STUD - Switch Pivot, QP (Not Illustrated)	1
26	061452	SPACER - QPC & PRO	1
27	154078	NUT - Lock, 1/4-28, QPC & PRO	1
27	078363	PIVOT - Cradle Arm, QP (Not Illustrated)	1
28	022843	BUTTON - Switch, Screw Type.....	1

***Not Available As An Assembly