

Parts Catalog

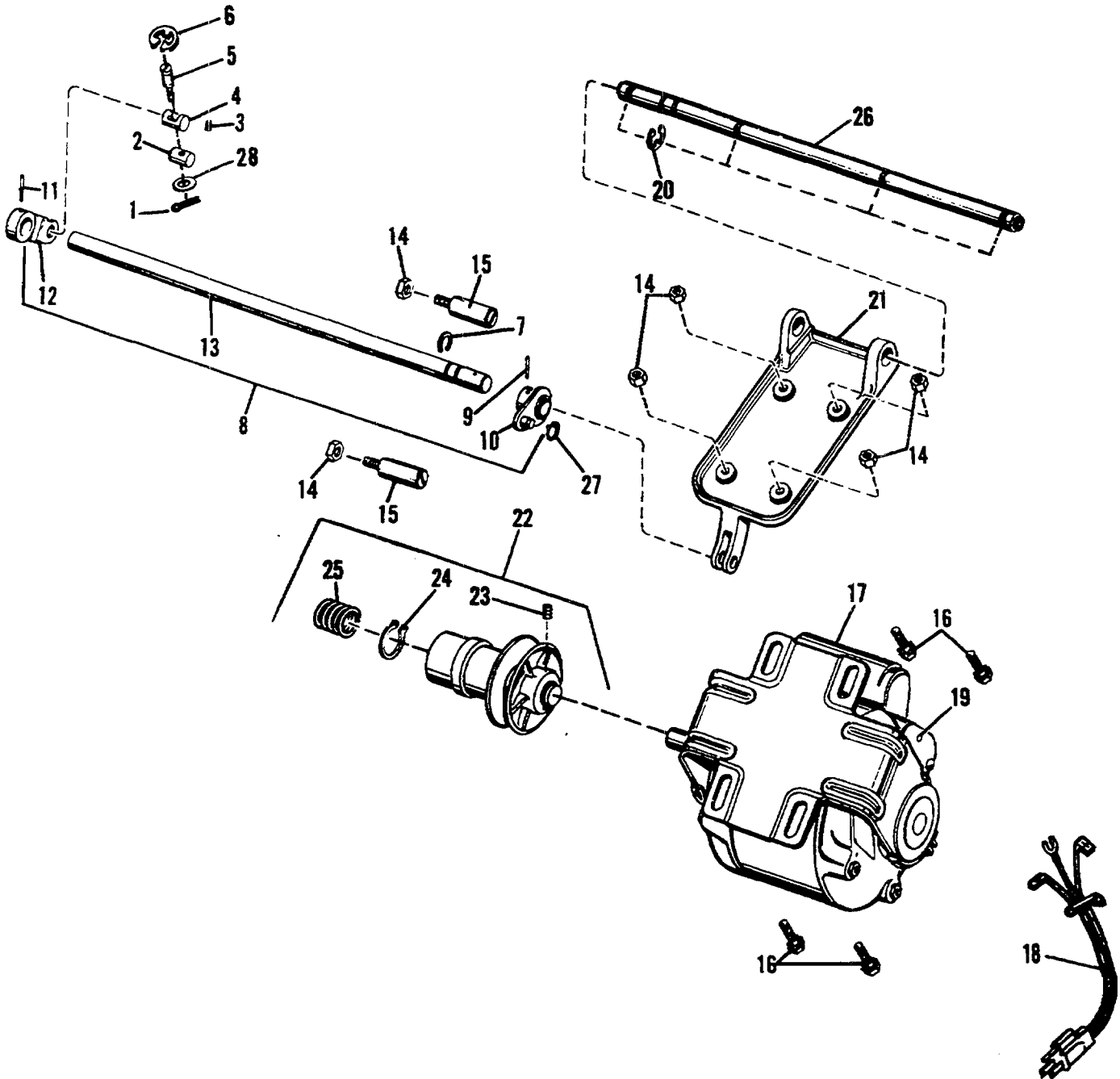


FIGURE 64
MODEL 9815/9850 Drive Motor and Related Parts

Parts Catalog

Index No.	Part No.	MODEL 9805/9850 Figure 64 Description	Units Per Assy.
1	195668	PIN - Cotter, .060 x .625 O.A.L.	1
2	072658	NUT - Trunnion.....	1
3	001573	SCREW - Set, 1/4-28 x 5/16	1
4	072661	TRUNNION	1
5	012544	SCREW - Adjustment, 1/4-28	1
6	001046	RING - Retaining, .283 I.D.	1
7	001784	RING - Retaining, .559 I.D.	1
8	008111	SHAFT ASSEMBLY - Motor Pivot	1
9	001983	PIN - Roll, .167 O.D. x 1.015 O.A.L.	1
10	*072653	LEVER	1
11	000024	PIN - Taper, .176 O.D. x 1.141 O.A.L.	1
12	*013065	LEVER	1
13	*008112	SHAFT	1
14	150087	NUT- 5/16-24	6
15	195195	STUD - Motor Stop, 60 HZ.	2
16	111092	SCREW - 5/16-24 x 1.000	4
17	078663	MOTOR ASSEMBLY - Drive, 1/3 HP, 115V. 60Hz.	1
17	017129	STARTING CAPACITOR for 78663 (Only)	1
17	017858	MOTOR ASSEMBLY - Drive, 3/4 HP, 100-115/200-230V. 50/60 Hz.	1
18	074638	CORD - Motor, 115V. 1/3 HP.	1
18	017880	CORD - Motor, 115V. 3/4 HP. 8"	1
18	017998	CORD - Motor, 115V. 3/4 HP. 15"	1
19	001259	SCREW - 10-16 x 1/2	1
20	001073	RING - Retaining, .577 I.D.	4
21	076206	CRADLE	1
22	013043	PULLEY - Variable, 1/3 HP. 115V. 60HZ. (3/8" Belt)	1
22	079073	PULLEY - Variable, 3/4 HP. 50/60HZ. (1/2" Belt)	1
23	006825	SCREW - Set, 1/4-28 x 3/8	1
24	001787	RING - Retaining, .756 I.D.	1
25	191950	SPRING - Compression	1
26	008110	SHAFT - Motor Support	1
27	001047	RING - Retaining, .340 I.D.	1
28	190302	WASHER - .189 I.D. x .375 O.D.	1

*Not Procurable Separately

For Other Than 115 V. 60 Hz. or 115 V 50/60 Hz. Dual Usage

15	195196	STUD - Motor Stop, 50Hz.	2
17	082035	MOTOR ASSEMBLY - 3/4 H.P. 100/230V. 50Hz.	1
17	082034	MOTOR ASSEMBLY - 3/4 H.P. 100/200V. 60Hz.	1
17	017858	MOTOR ASSEMBLY - 3/4 H.P. 100/200/230V. 50/60Hz.	1
17	084468	MOTOR ASSEMBLY - 1/3 H.P. 100/200V. 50/60Hz.	1
17	087340	MOTOR ASSEMBLY - 1/2 H.P. 230V. 60Hz.	1
17	073634	MOTOR ASSEMBLY - 1/3 H.P. 115/230V. 60Hz.	1
17	075916	MOTOR ASSEMBLY - 1/2 H.P. 240V. 50Hz.	1
17	079607	MOTOR ASSEMBLY - 3/4 H.P. 240V. 50Hz.	1
18	017878	CORD - Motor, 200/220/230/240V. 50/60Hz.	1
22	079074	PULLEY - Variable, 3/4 HP. 50Hz. (1/2" Belt Old Design)	1
22	072219	PULLEY - Variable, 1/2-1/3 HP. 50Hz. (3/8" Belt)	1