

Parts Catalog

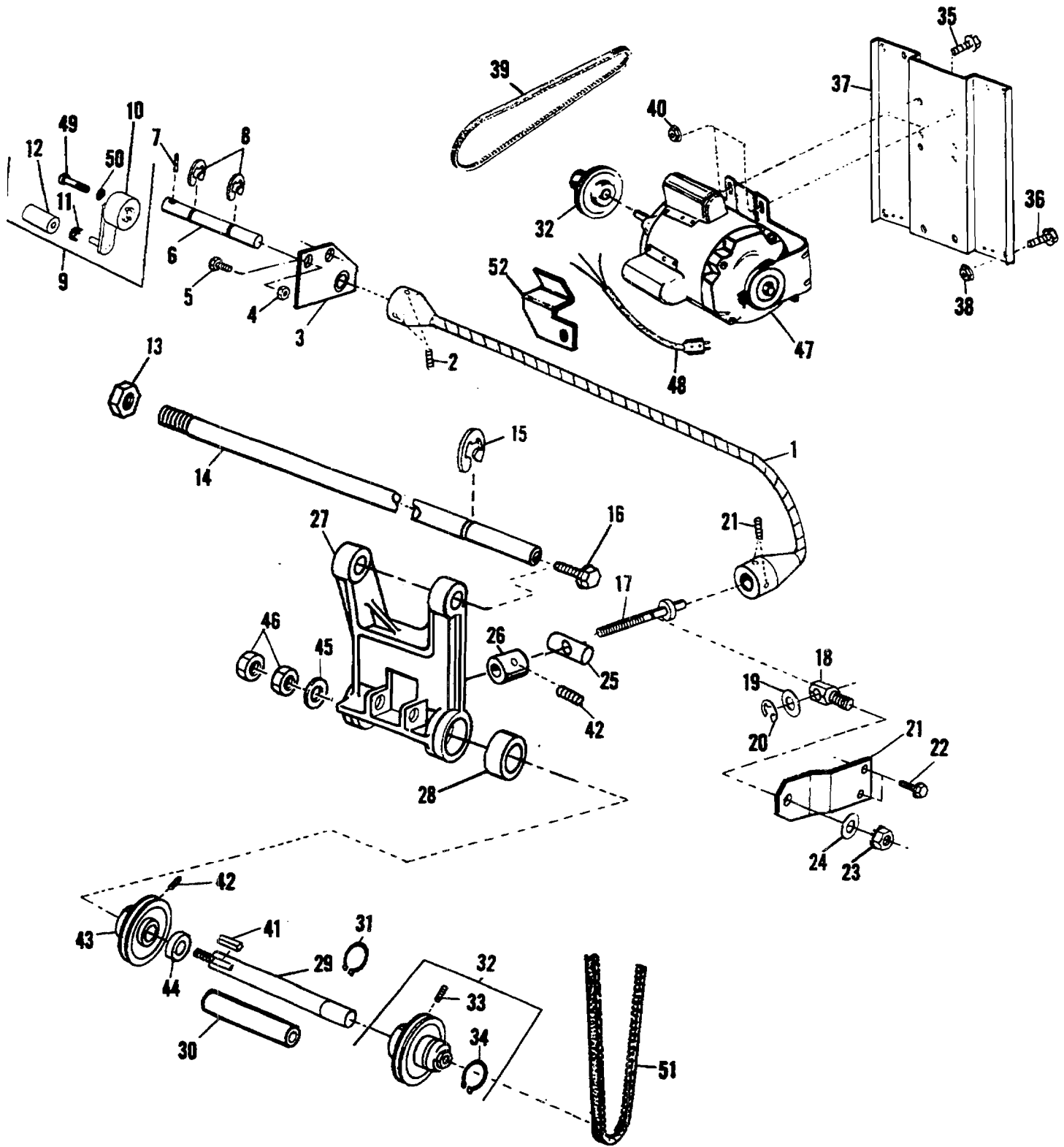


FIGURE 64A
MODEL 9805/9850 Drive Motor and Pulley Assembly

Parts Catalog

Index No.	Part No.	MODEL 9805/9850 Figure 64A Description	Units Per Assy.
1	010076	SHAFT - Flexible	1
2	001650	SCREW - Set, 10-32 x 3/16	4
3	010094	PLATE ASSEMBLY	1
4	150083	NUT - 10-32	2
5	111056	SCREW - 10-32 x 5/8	2
6	010083	SHAFT ASSEMBLY - Crank 5-3/4 O.A.L.	1
7	001980	PIN - Roll, .135 O.D. x .640 O.A.L.	1
8	001080	RING - Retaining, .302 I.D.	2
9	017595	CRANK ASSEMBLY	1
10	017594	CRANK ARM	1
11	072052	LOCK - Spring	1
12	011371	HANDLE	1
13	101170	NUT - 1/2-20	2
14	010082	SHAFT - Idler Bracket	1
15	001784	RING - Retaining, .559 I.D.	1
16	111089	SCREW - 5/16-24 x 5/8	1
17	010085	SHAFT ASSEMBLY - Speed Adjustment	1
18	010079	POST - Adjustment Shaft	1
19	014727	WASHER - .380 I.D. x .750 O.D.	1
20	014473	RING - Retaining, .296 I.D.	1
21	010096	PLATE - Shaft Support	1
22	111071	SCREW - 1/4-28 x 1/2	2
23	150085	NUT - 3/8-16	1
24	003586	WASHER - .380 I.D. x .750 O.D.	1
25	010092	SHAFT - 3/8-16	1
26	003560	COLLAR	1
27	016553	CASTING ASSEMBLY	1
28	*195236	BEARING	2
29	016550	SHAFT	1
30	195238	SPACER - Long, 2.765 O.A.L.	1
31	101759	RING - Retaining, .625 I.D.	1
32	079073	PULLEY - Variable Speed	1
33	006825	SCREW - Set, 1/4-20 x 3/8	2
34	001787	RING - Retaining, .756 I.D.	2
35	111087	SCREW - 5/16-24 x 1/2	4
36	111077	SCREW - 1/4-28 x 1.125	2
37	010081	PANEL - Motor	1
38	150085	NUT - 1/4-28	2
39	196110	BELT - Cog, Drive 4L210	1
39	196771	BELT - Drive (New Style)	1
40	150087	NUT - 5/16-24	4
41	190725	KEY - 3/16 x 3/16 x 11/16	1
42	001526	SCREW - Set	1
43	196123	PULLEY - 2.8 O.D.	1
44	081789	WASHER - .627 I.D. x 1.000 O.D. x .060	1
45	014799	WASHER - 1/2 I.D. x 7/8 O.D.	1
46	101170	NUT - 1/2-20	2
47	017858	MOTOR - Drive, 3/4HP. 100-115/200-230V. 50/60Hz	1
48	017998	CORD - Motor, 115V. 3/4HP. 15" O.A.L.	1
49	196244	SCREW - Special, 10-32 x 1.000 O.A.L.	1
50	039642	RING - Vinyl, .155 I.D. x .295 O.D. x .075	1
51	196112	BELT - Cog Drive, 4L500	1
51	196773	BELT - Drive (new Style)	1
52	016862	BRACKET - Flexible Shaft	1

*Not Procurable Separately

For Other Than 115V. 60HZ. or 115V. 50/60HZ. Dual Usage

39	196124	BELT - Cog, Drive 4L200 50HZ.	1
39	196770	BELT - Drive (New Style)	1
43	196109	PULLEY - 2.5 O.D. 50HZ.	1