

Parts Catalog

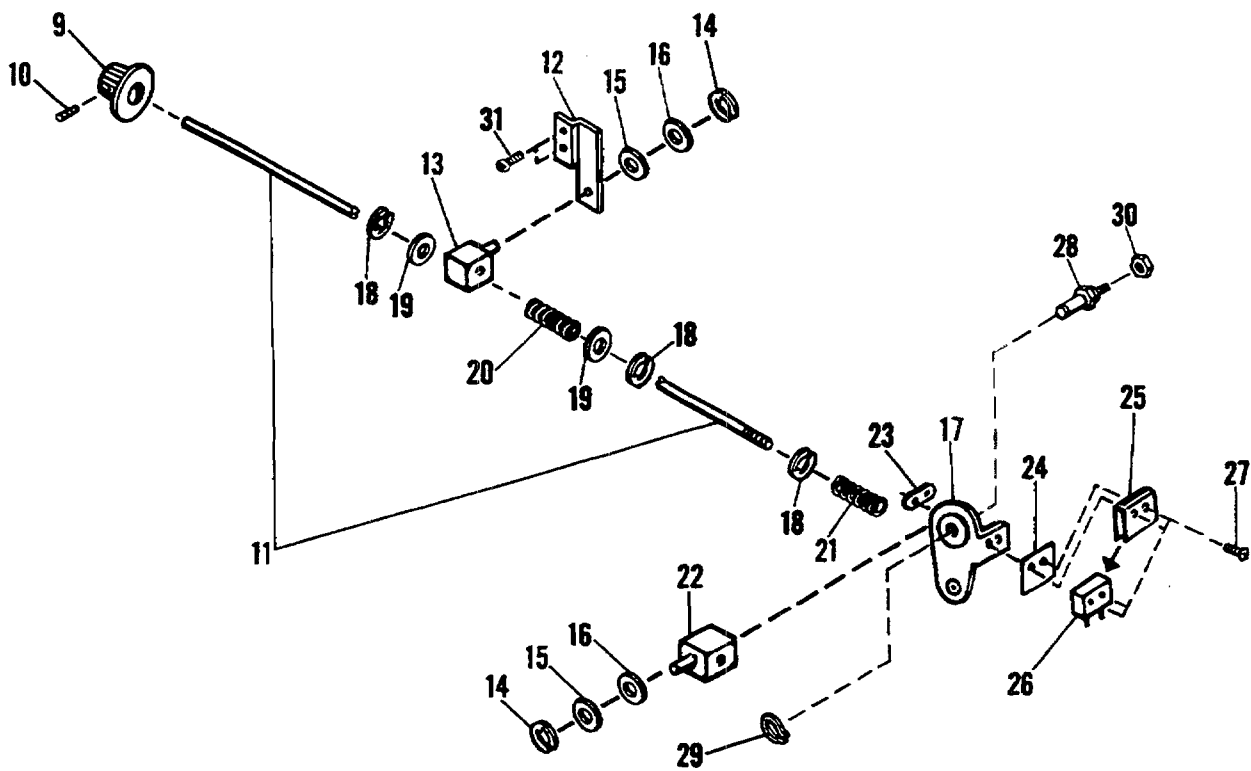
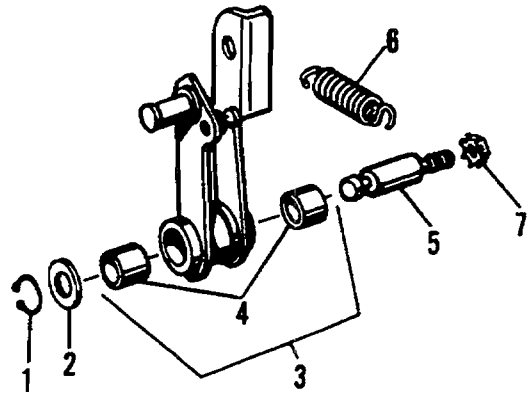


FIGURE 34
MODEL 9815/9850 Doubles Detector Switch Assembly

Parts Catalog

Index No.	Part No.	MODEL 9805/9850 Figure 34 Description	Units Per Assy.
1	001075	RING - Retaining, .397 I.D. x .027	1
2	190149	WASHER - .441 I.D. x .687 O.D. x .029	1
3	072239	DOUBLE LEVER ASSEMBLY - Feed Forwarding	1
4	001412	BUSHING - .441 I.D. x .565 O.D. x .375 O.A.L.	2
5	196233	STUD - Double Lever	1
6	072442	SPRING - Tension, .343 I.D. x 2.000 O.A.L. x .040	1
7	150085	NUT - 1/4-28	1
8	***017015	DOUBLES DETECTOR SWITCH ASSEMBLY - (Old Design)	1
9	016916	KNOB	1
10	001207	SCREW - Set, 8-32 x 3/16	1
11	016920	ROD - Detector Switch Adj.	1
12	011945	BRACKET - Detector Adj. Rod	1
13	011946	ANCHOR - Pivot Detector Adj. Rod	1
14	100740	RING - Retaining, .357 I.D. x .045 T	2
15	014727	WASHER - .375 I.D. x 3/4 O.D.	2
16	001772	WASHER - Friction, .376 I.D. x 3/4 O.D.	2
17	011943	BRACKET ASSEMBLY - Detector Switch	1
18	001060	RING - Retaining, .208 I.D. x .027 T	3
19	005071	WASHER - .252 I.D. x 1/2 O.D.	3
20	042135	SPRING - Plunger, .295 I.D. x 11/16 O.A.L.	1
21	192035	SPRING - Compression, .359 O.D. x 1.000 O.A.L.	1
22	011948	PIVOT - Detector Adj. Rod	1
23	190483	NUT PLATE - 2-56	1
24	017159	INSULATOR - Switch Detector	1
25	192855	INSULATOR - Switch	1
26	253025	SWITCH - S.P.D.T., 1 Amp., 125 VAC	1
27	100490	SCREW - 2-56 x 1/2	2
28	196331	STUD - Detector Switch Pivot, QPC and PRO (Old Design)	1
28	193658	STUD - Detector Switch Pivot, QP (Old Design)	1
29	014511	RING - Retaining, .430 I.D. x .027	1
30	154078	NUT - Lock, 1/4-28	1
31	001586	SCREW - 8-32 x 5/16 (Old Design)	2

***Not Available As An Assembly