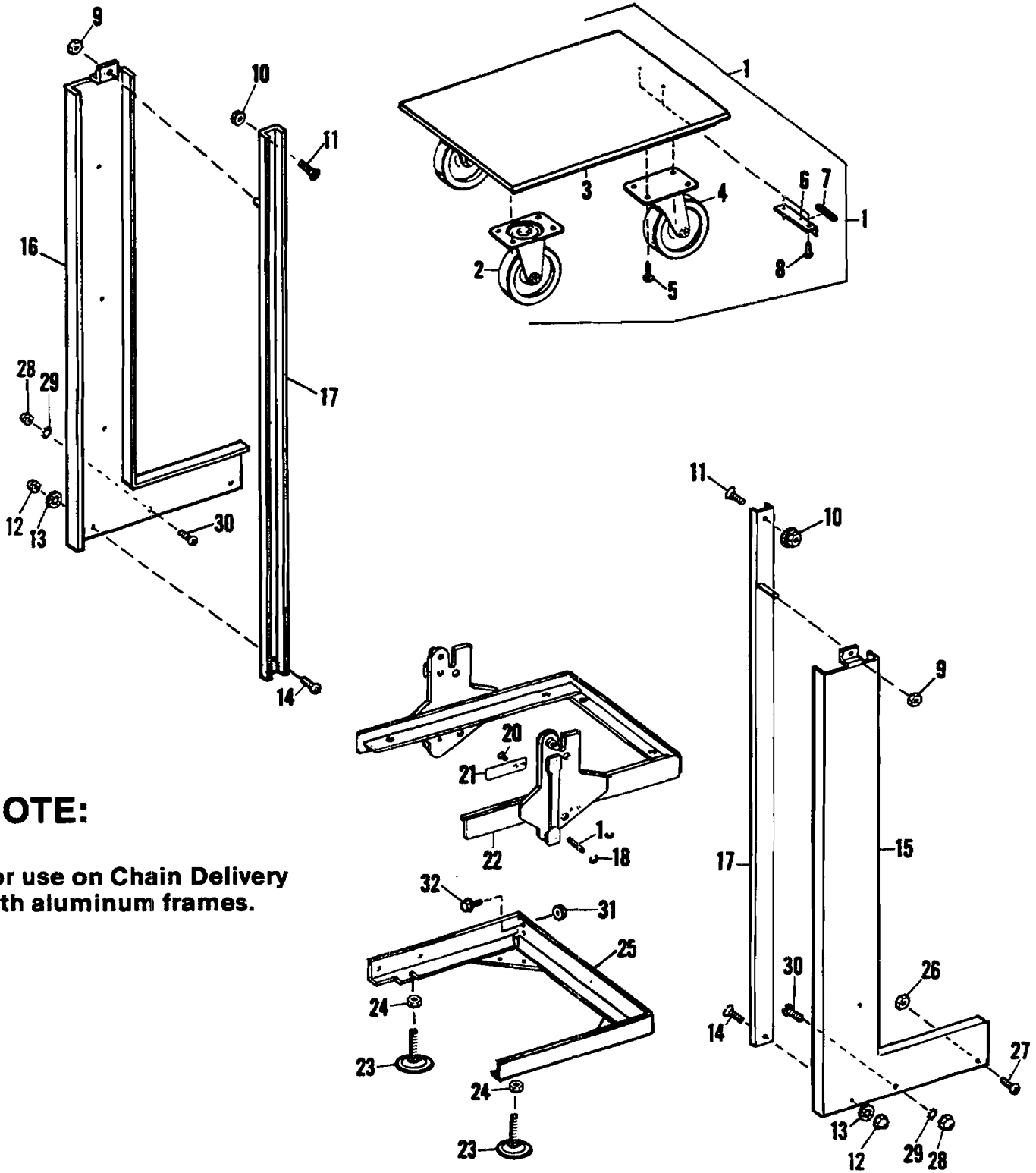


Parts Catalog



NOTE:

For use on Chain Delivery with aluminum frames.

FIGURE 77
MODEL 9815/9850 Dolly, Table and Frame Assemblies

Parts Catalog

| Index No. | Part No. | MODEL 9805/9850 Figure 77 Description | Units Per Assy. |
|-----------|----------|---|-----------------|
| 1 | 009570 | DOLLY ASSEMBLY | 1 |
| 2 | 081515 | CASTER - Dolly (Swivel) | 2 |
| 3 | 009571 | BASE - Dolly | 1 |
| 4 | 081516 | CASTER - Dolly | 2 |
| 5 | 101901 | SCREW - 1/4-14 x 3/4 | 16 |
| 6 | 101899 | BRACKET - Mounting Catch | 1 |
| 7 | 100523 | CATCH - Magnetic | 1 |
| 8 | 101900 | SCREW - 5-20 x 3/8 | 2 |
| 9 | 100871 | NUT - 1/4-20 | 2 |
| 10 | 014807 | NUT - 1/4-28 | 2 |
| 11 | 100586 | SCREW - 1/4-28 x 1.000 | 2 |
| 12 | 100587 | NUT - 1/4-28 | 2 |
| 13 | 001714 | WASHER - Lock, .472 O.D. x .250 I.D. x .025 | 2 |
| 14 | 100585 | SCREW - 1/4-28 x 3/4 | 2 |
| 15 | 017564 | GUARD - Chain Lift, O.S. | 1 |
| 15 | 018510 | GUARD - Chain Lift, O.S. (9840 B) | 1 |
| 16 | 017565 | GUARD - Chain Lift, N.O.S. | 1 |
| 16 | 018511 | GUARD - Chain Lift, N.O.S. (9840 B) | 1 |
| 17 | 017694 | GUIDE - Table Raise | 2 |
| 18 | 001060 | RING - Retaining, .208 I.D. x .027 | 1 |
| 19 | 190300 | PIN - Table Guide | 1 |
| 20 | 001691 | SCREW - 10-32 x 1/4 | 2 |
| 21 | 081841 | SPRING - Guide Pin Pressure | 2 |
| 22 | 017689 | TABLE ASSEMBLY - Dolly Mounting | 1 |
| 22 | 018515 | TABLE ASSEMBLY - Dolly Mounting (9840 B) | 1 |
| 23 | 017542 | GLIDER - Base Frame | 2 |
| 24 | 001845 | NUT - 3/8-24 | 4 |
| 25 | 008114 | FRAME ASSEMBLY | 1 |
| 26 | 014811 | NUT - 8-32 | 4 |
| 27 | 001202 | SCREW - 8-32 x 3/4 | 4 |
| 28 | 100107 | NUT - Cap, 10-32 | 2 |
| 29 | 001706 | WASHER - Lock, .199 I.D. x .400 O.D. x .022 | 2 |
| 30 | 100593 | SCREW - 10-32 x 9/16 | 2 |
| 31 | 150087 | NUT - 5/16-24 | 4 |
| 32 | 111091 | SCREW - 5/16-24 x 7/8 | 4 |

NOTE: All above parts are used for Chain Delivery with Aluminum Frames.