

Parts Catalog

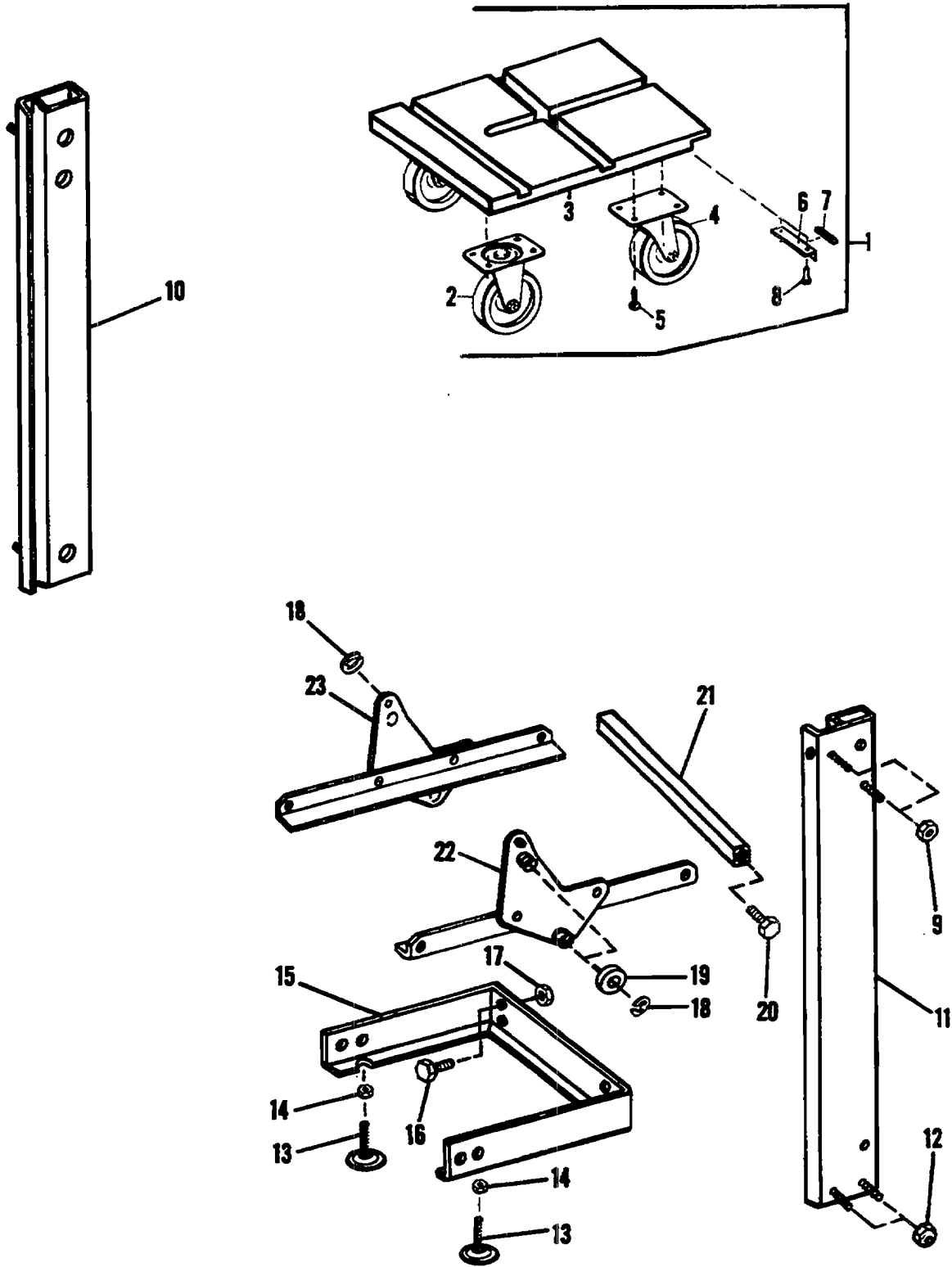


FIGURE 77A
MODEL 9820/9850 (1:1) Dolly, Table and Frame Assemblies

Parts Catalog

Index No.	Part No.	MODEL 9805/9850 Figure 77A Description	Units Per Assy.
1	016389	DOLLY ASSEMBLY	1
2	081515	CASTER - Dolly, Swivel	2
3	016390	BASE - Dolly	1
4	081516	CASTER - Dolly, Fixed	2
5	101901	SCREW - 1/4-14 x 3/4	16
6	101899	BRACKET - Mounting Catch	1
7	100523	CATCH - Magnetic	1
8	101900	SCREW - 5-20 x 3/8	2
9	100871	NUT - 1/4-20	4
10	016438	CARRIER ASSEMBLY - N.O.S.	1
10	018441	CARRIER ASSEMBLY - N.O.S. (9840 B)	1
11	016437	CARRIER ASSEMBLY - O.S.	1
11	018440	CARRIER ASSEMBLY - O.S. (9840 B)	1
12	101943	NUT - Acorn, 1/4-20	4
13	017542	GLIDER - Yoke	2
14	001845	NUT - 3/8-24	2
15	016547	YOKE - C D	1
15	018437	YOKE - C .D. (9840 B)	1
16	111091	SCREW - 5/16-24 x 3/4	4
17	150087	NUT - 5/16-24	4
18	001060	RING - Retaining, .208 I.D. x .027	6
19	196390	ROLLER - Nylon	4
20	111073	SCREW - 1/4-28 x 5/8	2
21	016405	ROD - Carrier	1
21	016642	ROD - Carrier (9840 B)	1
22	016401	FRAME ASSEMBLY - Carrier, O.S.	1
22	018438	FRAME ASSEMBLY - Carrier, O.S. (9840 B)	1
23	016402	FRAME ASSEMBLY - Carrier, N.O.S.	1
23	018439	FRAME ASSEMBLY - Carrier, N.O.S. (9840 B)	1