

# Parts Catalog

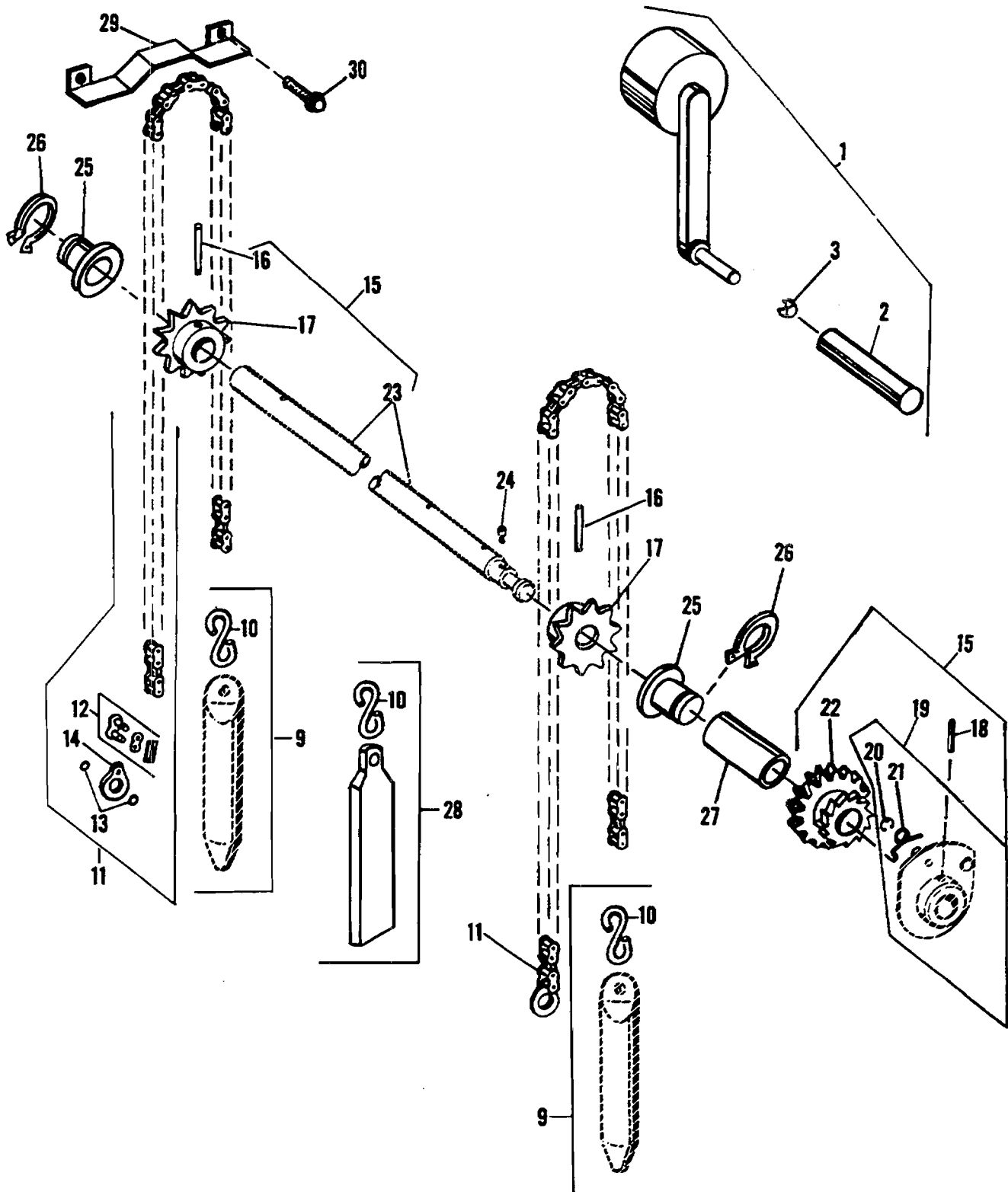


FIGURE 72  
MODEL 9815/9850 Dolly Table Crank Assembly

# Parts Catalog

Index No.	Part No.	MODEL 9805/9850 Figure 72 Description	Units Per Assy.
1	017714	CRANK ASSEMBLY - Table Raise .....	1
2	017715	HANDLE- Crank Assembly .....	1
3	003042	SPRING LOCK - Crank Handle .....	1
9	>072077	WEIGHT ASSEMBLY - Chain .....	2
10	194835	HOOK - Chain Weight .....	2
11	072035	CHAIN ASSEMBLY .....	2
2	071576	LINK - Chain Coupler .....	1
3	001054	WASHER .....	2
4	072036	TABLE CONNECTOR .....	1
15	>017600	SHAFT ASSEMBLY - Table Raise Crank .....	1
15	016409	SHAFT ASSEMBLY - Table Raise Crank .....	1
16	000014	PIN - Taper, .146 O.D. x 1.127 O.A.L. ....	2
17	*081712	SPROCKET - Chain Drive .....	2
18	001983	PIN - Roll, .167 O.D. x 1.015 O.A.L. ....	1
19	*081714	MOUNT ASSEMBLY - Gear Pawl .....	1
20	014504	RING - Retaining, .095 I.D. x .019 .....	1
21	081720	SPRING - Pawl Pressure .....	1
22	>081709	GEAR ASSEMBLY - Crank Shaft .....	1
22	016412	GEAR ASSEMBLY - Crank Shaft .....	1
23	*017599	SHAFT - Table Raise Crank .....	1
24	101281	PIN - Drive Lock, .250 O.D. x .750 O.A.L. ....	1
24	>081609	PIN - Crank Assembly Locking .....	1
25	196397	BUSHING - Special Flange .....	2
26	101938	RING - Retaining, Bowed .....	2
27	196396	SPACER - .521 I.D. x .687 O.D. x 1.252 O.A.L. ....	1
8	016399	WEIGHT ASSEMBLY .....	2
9	400579	GUARD - Chain N.O.S. ....	1
29	400578	GUARD - Chain O.S. (Not Illustrated) .....	1

\*Not Procurable Separately

>For Chain Delivery With Aluminum Frames