

# Parts Catalog

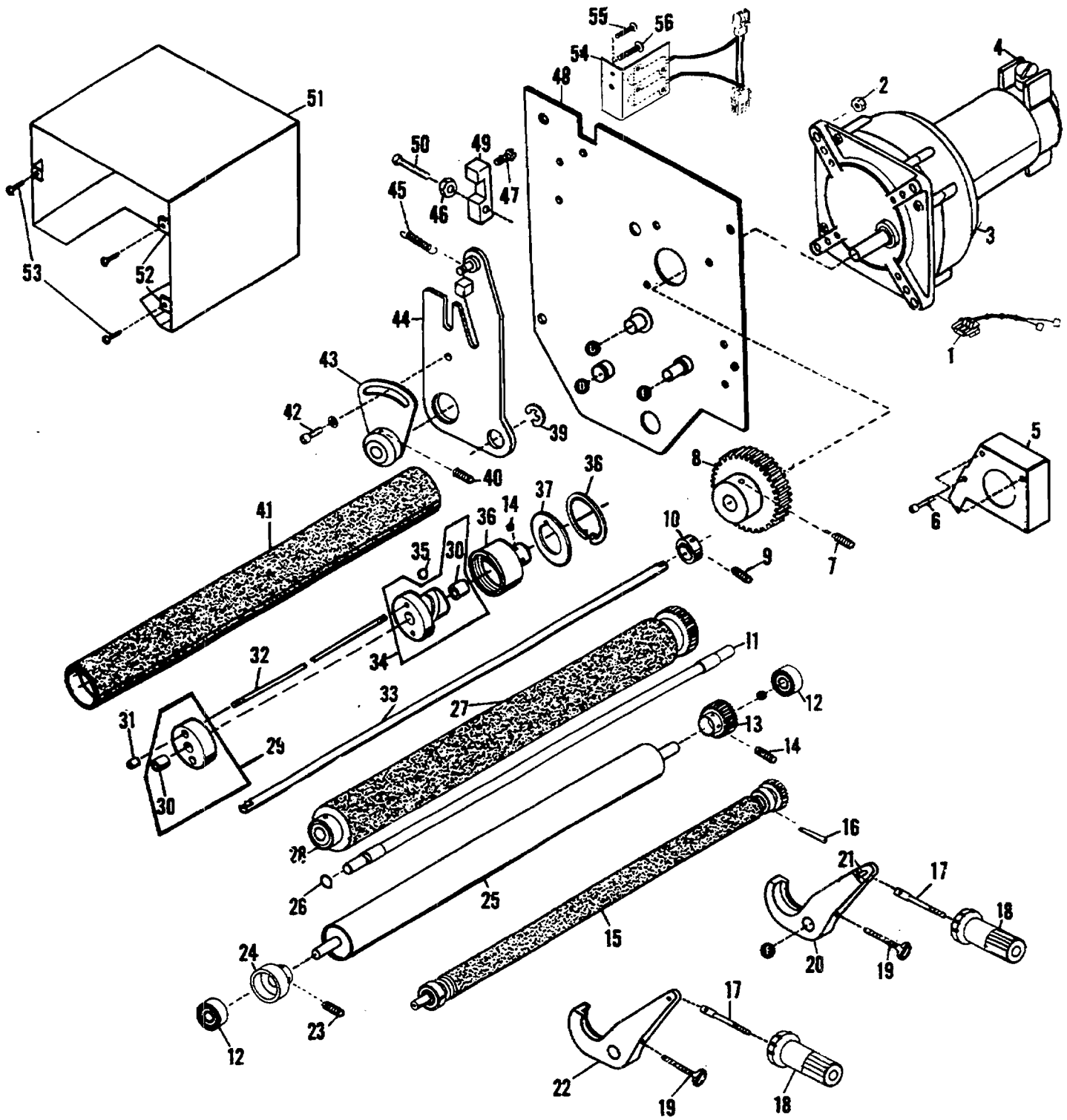


FIGURE 9D  
MODEL 9815/9850 Dampener Rollers

# Parts Catalog

Index No.	Part No.	MODEL 9805/9850 Figure 9D Description	Units Per Assy.
1	083597	HARNES - Dampener Motor .....	1
2	014808	NUT - 10-32 .....	3
3	083521	MOTOR - DC .....	1
4	083786	BRUSH .....	2
5	083463	COVER - Safety .....	1
6	065833	SCREW - Cap, 10-32 x 7/8 .....	3
7	001523	SCREW - 5/16-18 x 3/8 .....	2
8	083519	GEAR - Motor .....	1
9	001207	SCREW - Set, 8-32 x 3/16 .....	2
10	196310	COLLAR .....	2
11	016823	SHAFT - Form Roller .....	1
12	080505	BEARING .....	6
13	016795	GEAR - Metering Roller .....	1
14	014390	SCREW - Set, 1/4-28 x 1/4 .....	2
15	016791	FOUNTAIN ROLLER ASSEMBLY - Rubber .....	1
16	001978	PIN - Roll, .135 O.D. x .765 O.A.L. ....	1
17	016788	SCREW - Metering .....	2
18	083489	KNOB - Metering .....	2
19	080173	SCREW - Thumb .....	2
20	016819	LEVER ASSEMBLY - Control, N.O.S. ....	1
21	001990	PIN - Roll, .135 O.D. x .515 O.A.L. ....	1
22	016818	LEVER ASSEMBLY- Control, O.S. ....	1
23	014372	SCREW - Set, 10-32 x 1/4 .....	2
24	080591	HOUSING - Bearing .....	1
25	016816	ROLLER - Metering, Stainless Steel .....	1
26	014513	RING - Retaining, .584 I.D. x .037 .....	1
27	016822	FORM ROLLER ASSEMBLY - Rubber .....	1
28	080312	BEARING - 1.375 O.D. x .626 I.D. ....	2
29	080694	PLUG ASSEMBLY - Oscillating Roller .....	1
30	001497	BUSHING .....	1
31	196475	NUT - Special .....	2
32	007580	ROD - Tie .....	2
33	016812	SHAFT - Oscillating Roller .....	1
34	080695	PLUG AND CAM ASSEMBLY .....	1
35	080699	BALL .....	1
36	080263	CAP .....	1
37	080698	GUARD .....	1
38	014523	RING - Retaining, 2.346 I.D. x 2.600 O.D. x .081 .....	1
39	001094	RING - Retaining, .394 I.D. x .044 .....	1
40	014108	SCREW - Set, 10-32 x 3/8 .....	1
41	016810	ROLLER - Oscillating, Rubber .....	1
42	111052	SCREW - 10-32 x 3/8 .....	1
43	083481	HUB ASSEMBLY - N.O.S. ....	1
44	083567	ARM ASSEMBLY - N.O.S. ....	1
45	078975	SPRING - 1-1/8 O.A.L. x 7/32 I.D. ....	1
46	001817	NUT- 1/4-28 .....	1
47	001299	SCREW - 6-32 x 7/16 .....	1
48	083565	FRAME ASSEMBLY - N.O.S. ....	1
49	083561	BLOCK - Mounting .....	1
50	014180	SCREW - 1/4-28 x 1.000 .....	1
51	083498	COVER - Motor .....	1
52	001884	NUT - Speed .....	3
53	014311	SCREW - 8-15 x 5/8 .....	3
54	083707	RESISTOR ASSEMBLY .....	1
55	100962	SCREW - 6-32 x 1/2 .....	1
56	100450	SCREW - 10-32 x 9/16 .....	1