

Parts Catalog

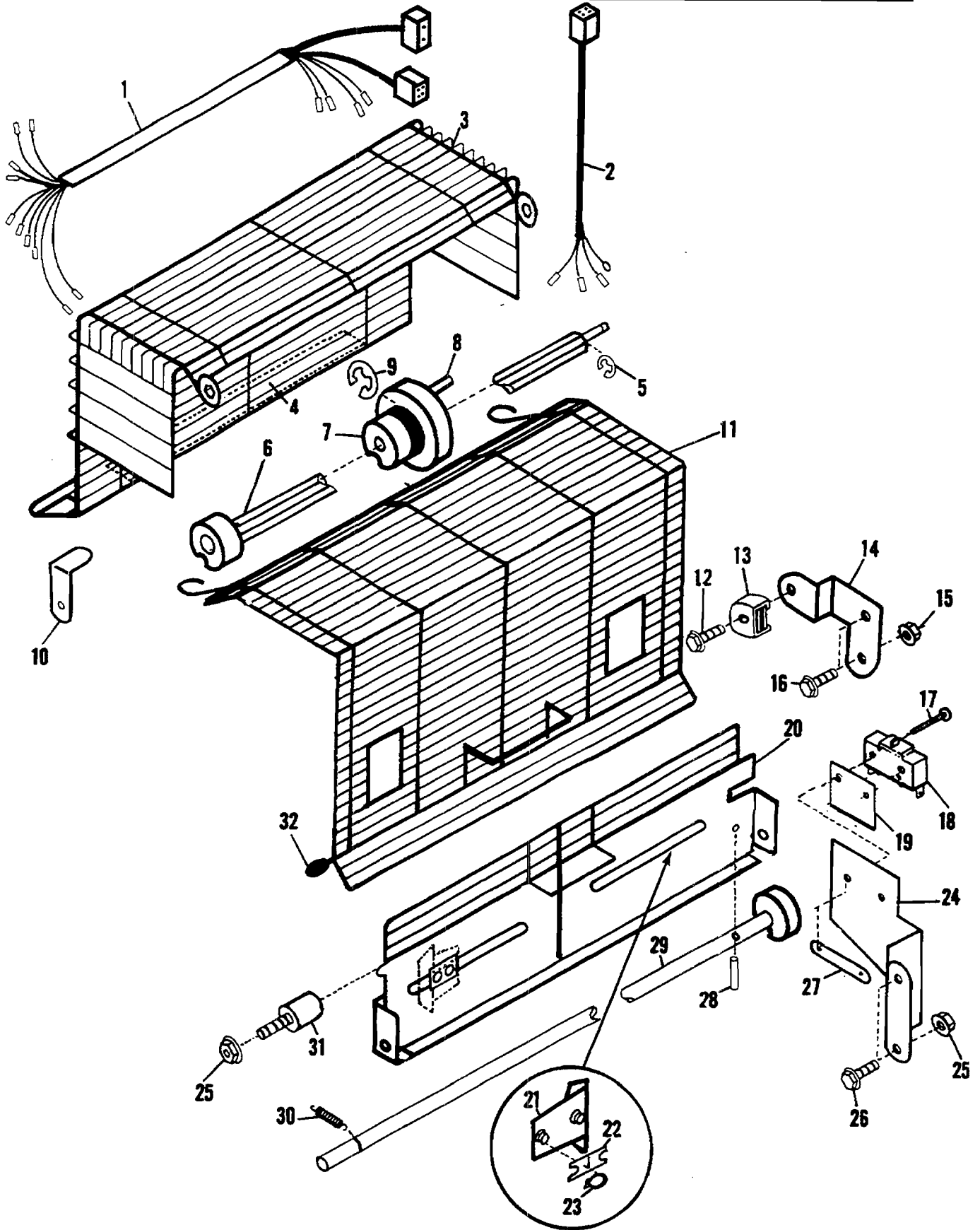


FIGURE 9A
MODEL 9815/9850 Damper Guides

Parts Catalog

Index No.	Part No.	MODEL 9805/9850 Figure 9A Description	Units Per Assy.
1	016868	HARNESS ASSEMBLY - Dampener	1
2	016698	CABLE ASSEMBLY- 74" AC. Control Box to Dampener	1
2	016169	CABLE ASSEMBLY- 35" AC. Control Box (9860)	1
2	016191	CABLE ASSEMBLY - 40" Dampener Interface (9860)	1
3	016716	INK GUARD ASSEMBLY	1
4	076897	DECAL	1
5	001060	RING - Retaining, .208 I.D.	1
6	016806	SHAFT ASSEMBLY - Guard	1
7	016808	CAM SLEEVE ASSEMBLY	1
8	100582	PIN - Roll, .131 O.D. x .327 O.A.L.	1
9	001073	RING - Retaining, .577 I.D.	1
10	016197	SUPPORT - Guard	2
11	016718	GUARD ASSEMBLY - Dampener	1
12	111057	SCREW - 10-32 x 3/4	1
13	076835	CATCH - Magnetic	1
14	016858	BRACKET - Magnet	1
15	150083	NUT - 10-32	1
16	111054	SCREW - 10-32 x 1/2	1
17	100961	SCREW - 6-32 x 7/8	2
18	253211	SWITCH - 20A 125/250 VAC.	1
19	010342	INSULATOR	1
20	016723	GUARD - Master Cylinder	1
20	016720	GUARD - Master Cylinder (Color Head)	1
21	007988	GUIDE	2
22	027291	SPRING - Strip	2
22	016722	CLAMP - Retaining, (Color Head) (Not Illustrated)	2
23	014463	RING - Retaining, .183 I.D.	4
23	001812	NUT- 10-32 (Color Head) (Not Illustrated)	2
24	010428	BRACKET	1
25	150085	NUT - 1/4-28	3
26	111071	SCREW - 1/4-28 x 1/2	2
27	190731	NUT PLATE	1
28	001984	PIN - Roll, .103 O.D. x .640 O.A.L.	1
29	016859	SHAFT ASSEMBLY - Master Cylinder Guard	1
30	065402	SPRING - Tension, 3/8 O.D. x 1 19/32 O.A.L.	1
31	196327	SCREW - Stop	1
32	101944	BUMPER - Rubber	1