

Parts Catalog

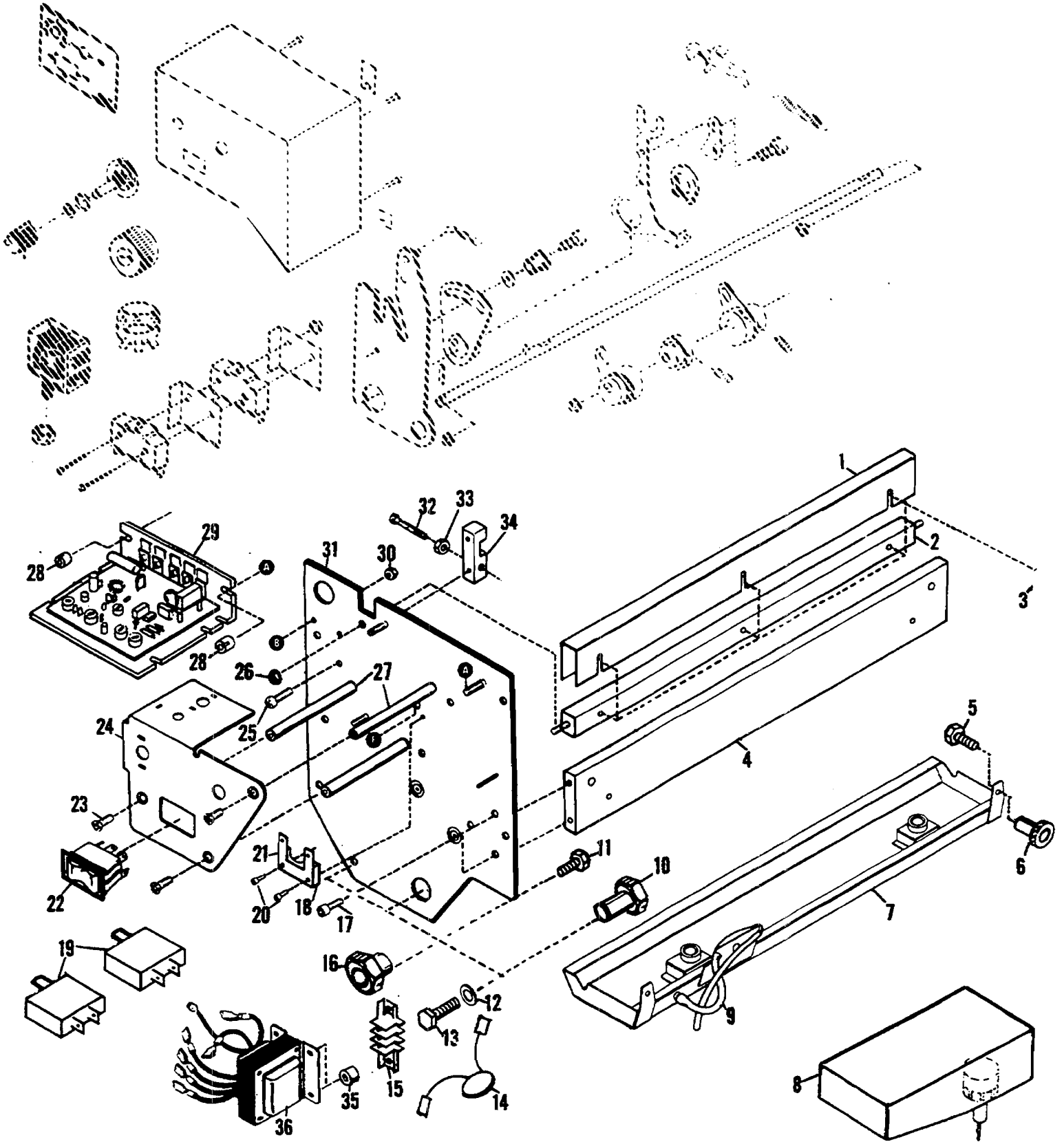


FIGURE 9C
MODEL 9815/9850 Dampener - Part II

Parts Catalog

Index No.	Part No.	MODEL 9805/9850 Figure 9C Description	Units Per Assy.
1	016773	CHANNEL - Wire	1
2	016774	TIE BAR	1
3	001220	SCREW - 10-32 x 3/8	3
4	016813	BAR - Spacing.....	1
5	001267	SCREW - 10-32 x 3/4	2
6	012379	NUT - Knurled	2
7	016851	FOUNTAIN ASSEMBLY - Aquamatic	1
8	012141	BOTTLE	1
9	191586	HOSE - Drain	1
10	083563	ADAPTER - Mounting	2
11	111073	SCREW - 1/4-28 x 5/8	2
12	003586	WASHER - .383 I.D. x 3/4 O.D.	2
13	111087	SCREW - 5/16-24 x 1/2	2
14	016697	VARISITOR ASSEMBLY	1
15	253541	TERMINAL BLOCK	1
16	083562	ADAPTER - Mounting	1
17	001555	SCREW - 10-32 x 1/2	4
18	083559	PLATE - Stop	1
19	253713	CIRCUIT BREAKER - 2.0A	2
20	001683	SCREW - 6-32 x 5/16	2
21	083558	SPRING	1
22	253511	SWITCH - Rocker	1
23	014187	SCREW - 8-32 x 5/8	3
24	083578	BRACKET	1
25	001555	SCREW - 10-32 x 1/2	1
26	150085	NUT - 1/4-28	2
27	083579	STAND-OFF	2
28	083572	NUT - Special	2
29	083706	P.C. BOARD - DC Motor Control	1
30	014182	NUT- 6-32	2
31	083564	FRAME ASSEMBLY - O.S.	1
32	014180	SCREW- 1/4-28 x 1.000	1
33	001817	NUT- 1/4-28	1
34	083561	BLOCK - Mounting	1

For Other Then 115V. 60HZ. or 115V. 50/60 HZ. Dual Usage

19	253618	CIRCUIT BREAKER - 1.2A	2
35	192073	SPACER - 230V	2
36	083611	TRANSFORMER ASSEMBLY - 220, 230, 240V - 50/60HZ	1