

# Parts Catalog

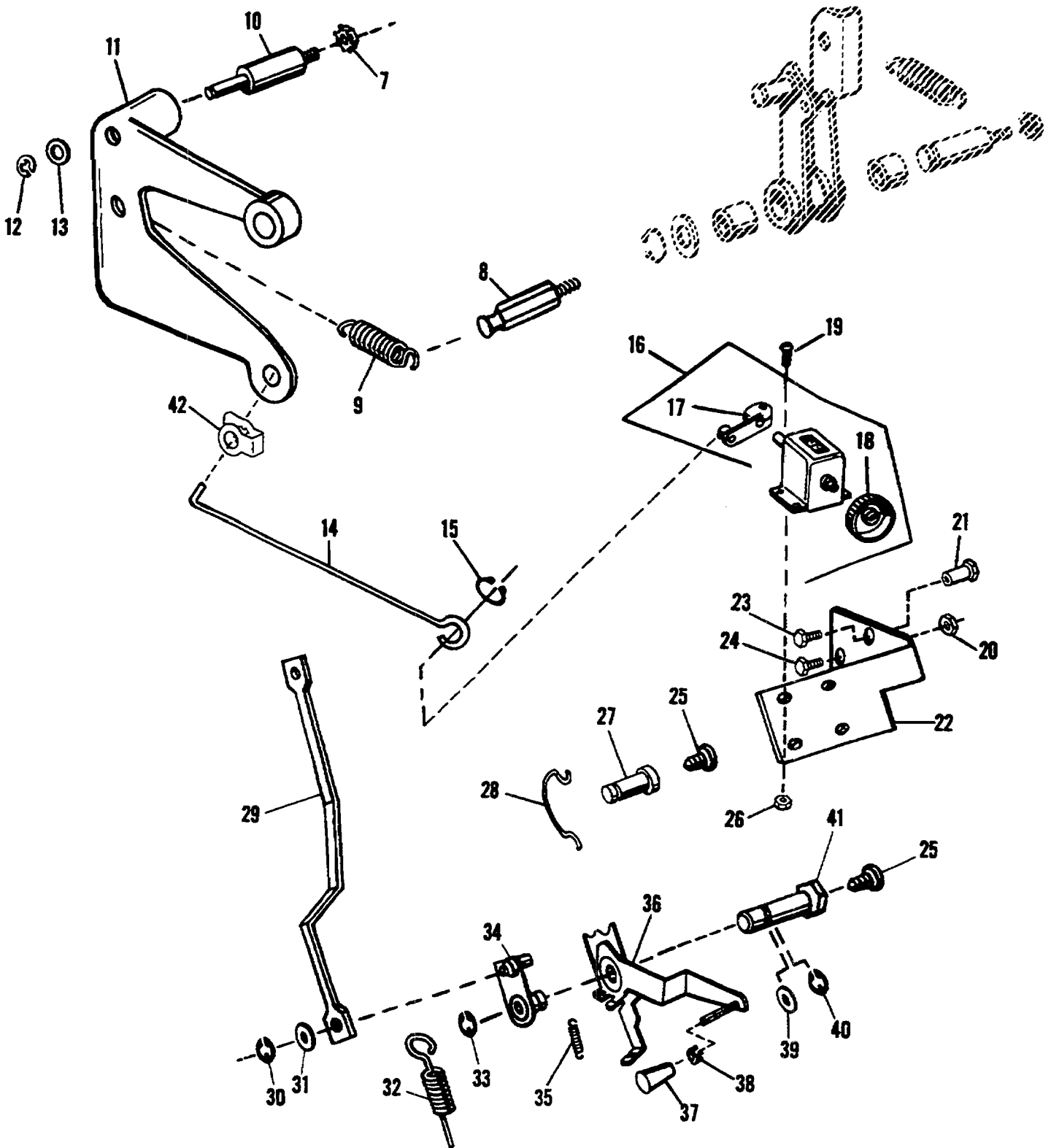


FIGURE 34B  
MODEL 9805/9810 Counter and Feed Levers

# Parts Catalog

Index No.	Part No.	MODEL 9805/9850 Figure 34C Description	Units Per Assy.
1	020444	SPRING - .468 O.D. x 1.937 O.A.L. ....	1
2	072146	CONTROL LEVER ASSEMBLY .....	1
3	100554	PIN - Spiral, .136 O.D. x .760 O.A.L. ....	2
4	*072147	LEVER .....	1
5	192895	SCREW - Shoulder, 1/4-28 x .327 .....	1
6	192896	TRUCK.....	1
7	150085	NUT - 1/4-28 .....	1
9	*072149	LEVER .....	1
10	*072151	SHAFT .....	1
11	111054	SCREW - 10-32 x 1/2 .....	6
12	001812	NUT - 10-32 .....	3
13	072152	HOUSING AND BUSHING ASSEMBLY .....	1
14	001422	BUSHING - .379 I.D. x .504 O.D. x .312 O.A.L. ....	2
15	014808	NUT - 10-32 .....	4
16	073325	SPRING - .375 O.D. x 1.375 O.A.L. x .037 .....	1
17	073326	SPRING - .312 O.D. x .781 O.A.L. x .031 .....	1
18	072129	ANCHOR - Spring .....	1
19	001046	RING - Retaining, .283 I.D. x .027 .....	1
20	072379	LEVER ASSEMBLY .....	1
21	014174	SCREW - 10-32 x 5/8 .....	1
22	072375	LEVER ASSEMBLY .....	1
23	072378	BEARING .....	1

\*Not Procurable Separately