

Parts Catalog

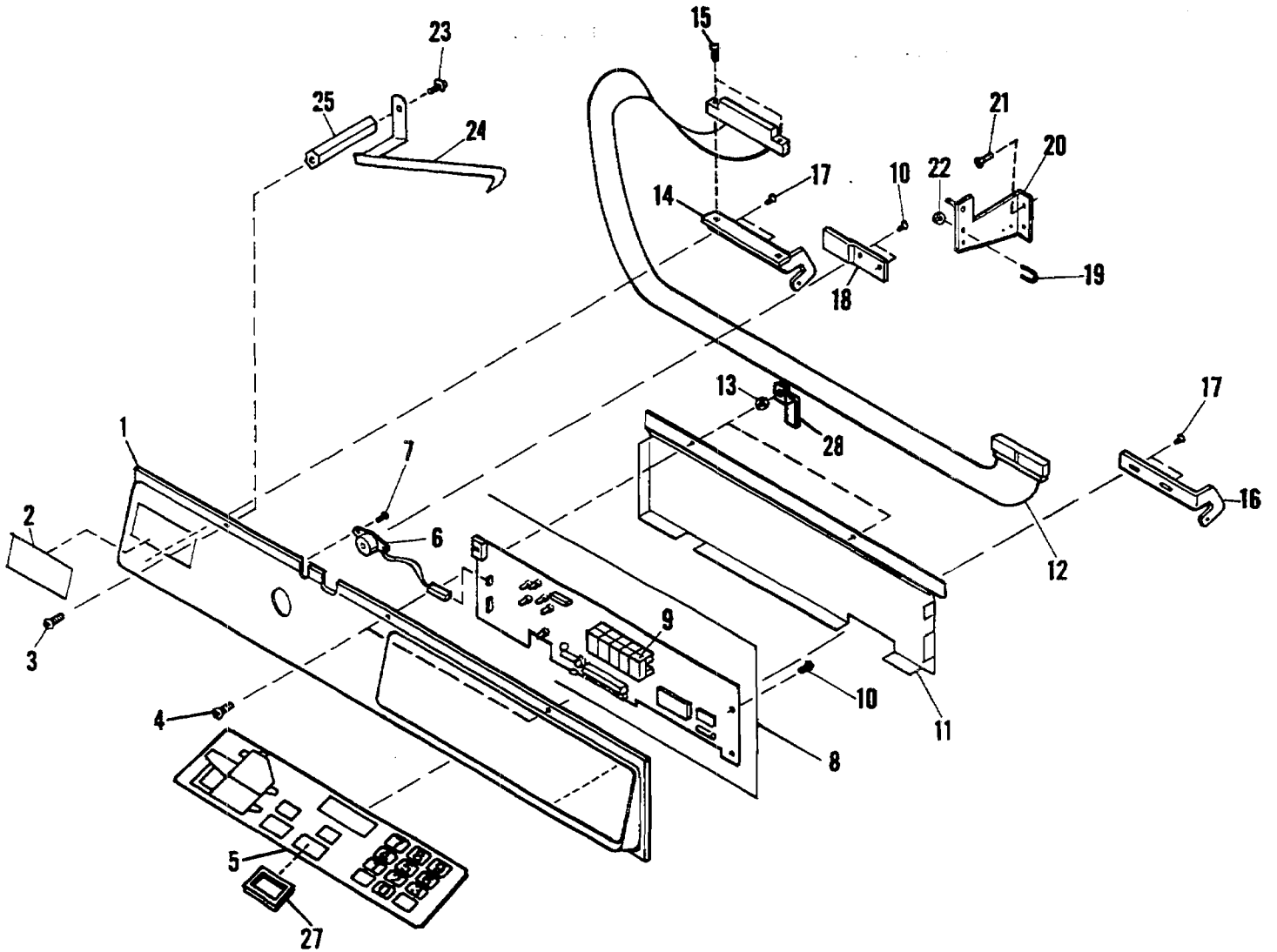


FIGURE 3
MODEL 9815/9850 Control Panel

Parts Catalog

Index No.	Part No.	MODEL 9805/9850 Figure 3 Description	Units Per Assy.
1	017761	PANEL - Control.....	1
2	016945	NAME PLATE - 9815, TD.....	1
2	016946	NAME PLATE - 9820, CD.....	1
2	016947	NAME PLATE - 9835, QP.....	1
2	016948	NAME PLATE - 9840, QPC.....	1
2	016949	NAME PLATE - 9850, PRO.....	1
2	016766	NAME PLATE - 9810XC.....	1
2	016320	NAME PLATE - 9810XCS.....	1
3	112652	SCREW - 8-32 x 9/16.....	2
4	112652	SCREW - 8-32 x 9/16.....	1
5	017716	SWITCH PANEL - Membrane, TD & CD.....	1
5	017811	SWITCH PANEL- Membrane, QP, QPC & PRO.....	1
6	017876	BUZZER ASSEMBLY - Mini.....	1
7	001540	SCREW - 4-24 x 3/8.....	2
8	017753	P.C. BOARD ASSEMBLY- Keyboard, TD & CD.....	1
8	017759	P.C. BOARD ASSEMBLY - Keyboard, QP, QPC & PRO.....	1
9	252802	DISPLAY - 7 Segment.....	5
9	252796	INTEGRATED CIRCUIT- U2.....	1
10	001292	SCREW - 8-32 x 5/16.....	6
11	016894	COVER - P.C. Board.....	1
12	016889	CABLE ASSEMBLY - Keyboard.....	1
13	150081	NUT- 8-32.....	1
14	016895	BRACKET- Hinge.....	1
15	100529	SCREW - 4-40 x 3/8.....	2
16	017799	BRACKET - Hinge, R.H.....	1
17	001279	SCREW - 8-18 x 1/2.....	4
18	017076	CLAMP - Harness.....	1
19	017589	GUIDE - Harness.....	2
20	017797	BRACKET - Pivot L.H.....	1
20	017163	BRACKET - Pivot R.H. (Not Illustrated).....	1
21	001220	SCREW - 10-32 x 3/8.....	4
22	100228	NUT - 4-40.....	2
23	111054	SCREW - 10-32 x 1/2.....	2
24	016896	BRACKET - Cable.....	1
25	196262	SPACER.....	2
26	196336	TOOL- Cable Connector (Not Illustrated).....	1
27	018620	GUIDE - ON/OFF Switch.....	1
28	025683	RETAINER - P.C. Board Cover.....	1