

Parts Catalog

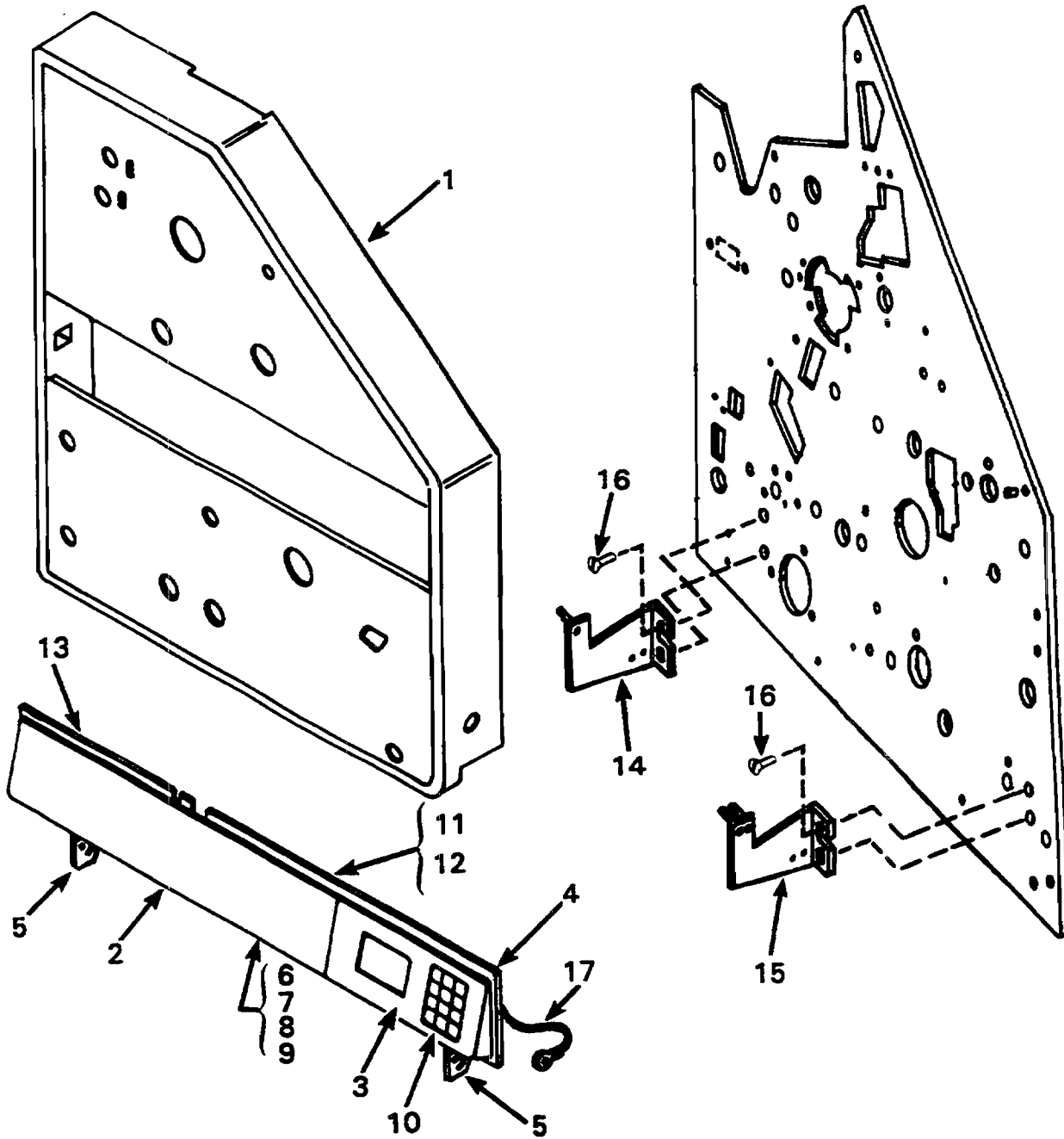


FIGURE 80
MODEL 9805/9810 New Style Control Box and Cover Assemblies

Parts Catalog

Index No.	Part No.	MODEL 9805/9810 Figure 80 Description	Units Per Assy.
1	401926	TOP COVER, OPERATOR SIDE 9805	1 EA
1	401927	TOP COVER, OPERATOR SIDE 9810	1 EA
2	*401973	CONTROL PANEL ASSEMBLY 9805	1 EA
2	*401952	CONTROL PANEL ASSEMBLY 9810	1 EA
3	401920	COVER, CONTROL PANEL 9805, BEZEL	1 EA
3	401919	COVER, CONTROL PANEL 9810, BEZEL	1 EA
4	401950	CONTROL PANEL	1 EA
5	017799	BRACKETS	2 EA
6	110114	SCREW (FOR BEZEL) NOT ILLUSTRATED	2 EA
7	001279	SCREW (FOR BRACKETS) NOT ILLUSTRATED	4 EA
8	401922	COUNTER BRACKET 9810	1 EA
9	253557	SPACER FOR LED DISPLAY 9810 (NOT ILLUS)	2 EA
10	401951	KEY-PAD 9810	1 EA
11	001279	SCREW (FOR COUNTER BOARD 9810) NOT ILLUS	10 EA
12	100228	KEPS NUT (LED DISPLAY, 9810 NOT ILLUS)	10 EA
13	401971	P.C. BOARD COVER 9810	1 EA
14	017797	BRACKET	1 EA
15	017163	BRACKET	1 EA
16	001220	SCREW	3 EA
17	401970	GROUND WIRE (CONTROL PANEL TO GROUND)	1 EA

* Not Procurable Separately