

Parts Catalog

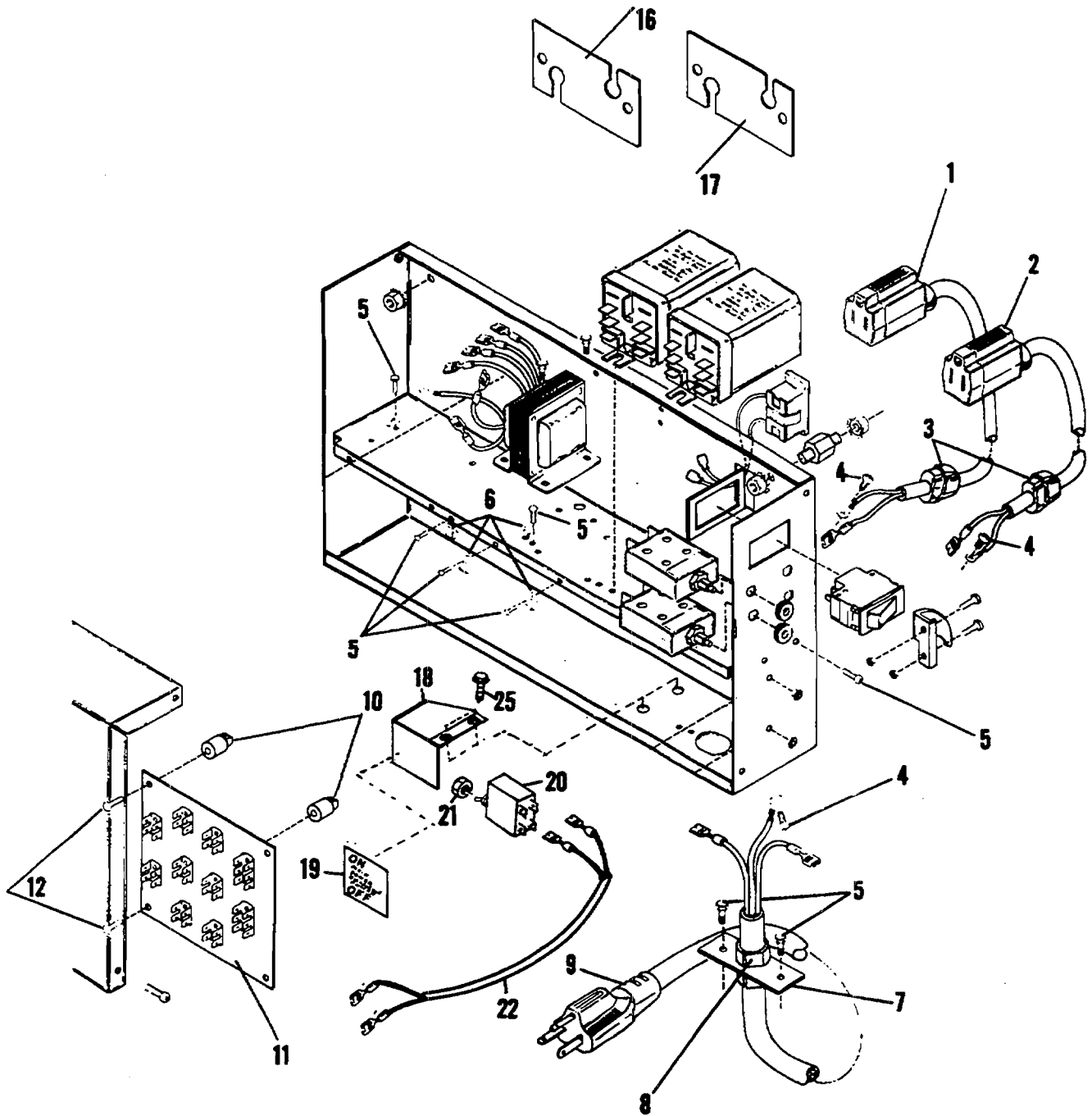


FIGURE 58
MODEL 9815/9850 Control Box - Part IV

Parts Catalog

Index No.	Part No.	MODEL 9805/9850 Figure 58 Description	Units Per Assy.
1	017999	CORD - Pump Motor, 100/115V.....	1
2	017810	CORD - Drive Motor, 100/115V.....	1
3	250293	STRAIN RELIEF	2
4	001106	SCREW - 10-32 x 5/16	3
5	111034	SCREW - 8-32 x 3/8	9
6	250205	CLAMP - Cable	1
7	017660	PLATE - Support	1
8	059717	STRAIN RELIEF	1
9	017732	CORD - Power, 100/115V.	1
10	101368	GROMMET	4
11	017667	TERMINAL BOARD	1
12	101369	SCREW - 8-18 x 7/8	4
13	017843	HARNESS ASSEMBLY - A.C. (Not Illustrated)	1
13	016756	HARNESS ASSEMBLY - A.C. (Not Illustrated) New Style Relays	1
14	017842	HARNESS ASSEMBLY - D.C (Not Illustrated)	1
14	016762	HARNESS ASSEMBLY - D.C. (Not Illustrated) New Style Relays	1
15	016931	HARNESS ASSEMBLY - Bypass (Not Illustrated)	1
16	017671	PLATE - Strain Relief, 100/115V.	1
17	017700	PLATE - Strain Relief	1
18	017624	BRACKET	1
19	017610	DECAL	1
20	253005	SWITCH	1
21	100684	NUT - 8-32	1
22	017675	HARNESS ASSEMBLY	1

For Other Than 115 V. 60 Hz. or 115 V. 50/60 Hz. Dual Usage

1	017997	CORD - Pump Motor, 200/220/230/240V.	1
2	017879	CORD - Drive Motor, 200/220/230/240V.	1
9	017733	CORD - Power, 200/230V.	1
9	017736	CORD - Power, 220/240V.	1
16	017661	PLATE - Strain Relief, 200/220/230/240V.	1