

# Parts Catalog

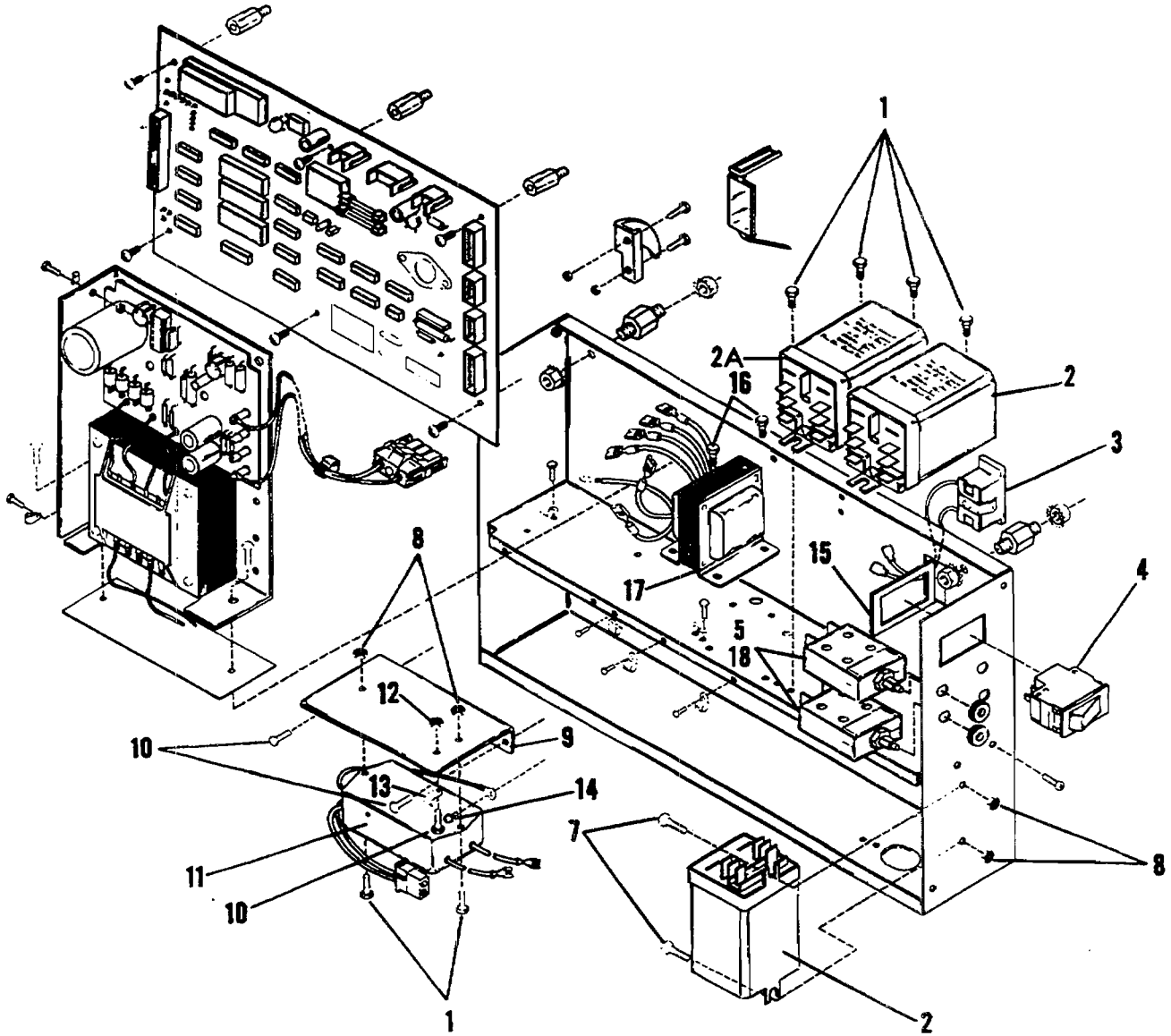


FIGURE 57  
MODEL 9815/9850 Control Box - Part III

# Parts Catalog

Index No.	Part No.	MODEL 9805/9850 Figure 57 Description	Units Per Assy.
1	100684	SCREW - 6-32 x 3/16 .....	5
2	253857	RELAY - 24V.D.C., 20Amp. Drive .....	2
2A	252829	RELAY- 24V.D.C., 20Amp. Pump .....	1
3	079613	RECEPTACLE - Work Light .....	1
4	252819	CIRCUIT BREAKER - 1.2Amp. 100/115V. ....	1
5	250051	CIRCUIT BREAKER - 10Amp. ....	2
7	101151	SCREW - 6-32 x 5/16 .....	2
8	014812	NUT- 6-32 .....	2
9	017670	BRACKET - Filter .....	1
10	111034	SCREW - 8-32 x 3/8 .....	2
11	017875	FILTER ASSEMBLY - RFI.....	1
12	014811	NUT - 8-32 .....	1
13	250202	CLAMP - Cable .....	1
14	001106	SCREW - 10-32 x 5/16 .....	4
15	017672	PLATE - Switch .....	1

For Other Than 115 V. 60 Hz. or 115 V 50/60 Hz. Dual Usage

4	252818	CIRCUIT BREAKER - .6Amp. 200/220/230/240V. ....	1
5	252539	CIRCUIT BREAKER- 6Amp. 230V. 60HZ. PRO .....	2
5	252838	CIRCUIT BREAKER- 5Amp. 200/220/240V. ....	2
16	001693	SCREW - 8-32 x 7/16 .....	4
17	079616	TRANSFORMER - 100/115V. 230V. - 115V. Work Lamp .....	1
18	252537	CIRCUIT BREAKER - 8Amp. 200/220/240V. ....	2