

Parts Catalog

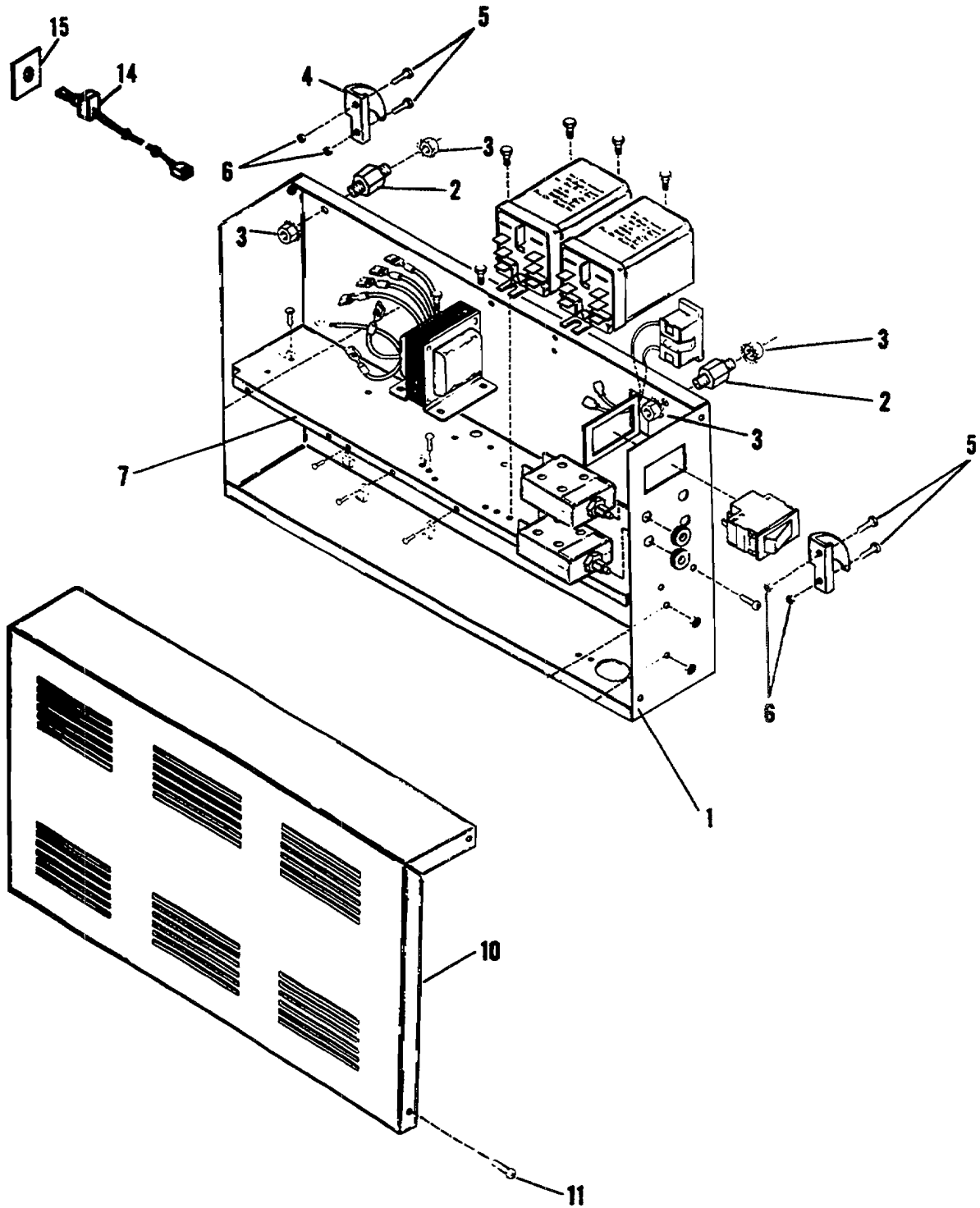


FIGURE 55
MODEL 9815/9850 Control Box - Part I

Parts Catalog

Index No.	Part No.	MODEL 9805/9850 Figure 55 Description	Units Per Assy.
	017109	CONTROL BOX ASSEMBLY - 115V. 60HZ. (TD and CD)	1
	017844	CONTROL BOX ASSEMBLY - 115V. 60HZ. (QP, QPC and PRO)	1
	018538	CONTROL BOX ASSEMBLY - 9840 B	1
1	017657	BOX - Control	1
1	018532	BOX - Control - 9840 B	1
2	017144	POST	2
3	014807	NUT - 1/4-28	4
4	017146	BRACKET - Pivot	2
5	111071	SCREW - 1/4-28 x 1/2	4
6	014807	NUT - 1/4-28	4
7	017655	PANEL ASSEMBLY	1
10	017659	COVER	1
10	018533	COVER - 9840 B	1
11	101517	SCREW - 8-32 x 3/8	4
12	101398	SCREW - 6-32 x 1/2	2
13	014812	NUT - 6-32	2
14	018523	SWITCH ASSEMBLY - Jam Detect Bypass (9840 B)	1
15	018545	DECAL - ON/OFF - 9840 B	1
For Other Than 115 V. 60 Hz. or 115 V. 50/60 Hz. Dual Usage			
	017108	CONTROL BOX ASSEMBLY - 100V. 50/60Hz. (TD and CD)	1
	017847	CONTROL BOX ASSEMBLY - 100V. 50/60Hz. (QP, QPC and PRO)	1
	017110	CONTROL BOX ASSEMBLY - 200V. 50/60Hz. (TD and CD)	1
	017849	CONTROL BOX ASSEMBLY - 200V. 50/60Hz. (QP, QPC and PRO)	1
	017111	CONTROL BOX ASSEMBLY - 220V. 50Hz. (TD and CD)	1
	017850	CONTROL BOX ASSEMBLY - 220V. 50Hz. (QP, QPC and PRO)	1
	017112	CONTROL BOX ASSEMBLY - 230V. 60Hz. (TD and CD)	1
	017845	CONTROL BOX ASSEMBLY - 230V. 60Hz. (QP, QPC and PRO)	1
	017113	CONTROL BOX ASSEMBLY - 240V. 50Hz. (TD and CD)	1
	007851	CONTROL BOX ASSEMBLY - 240V. 50Hz. (QP, QPC and PRO)	1