

# Parts Catalog

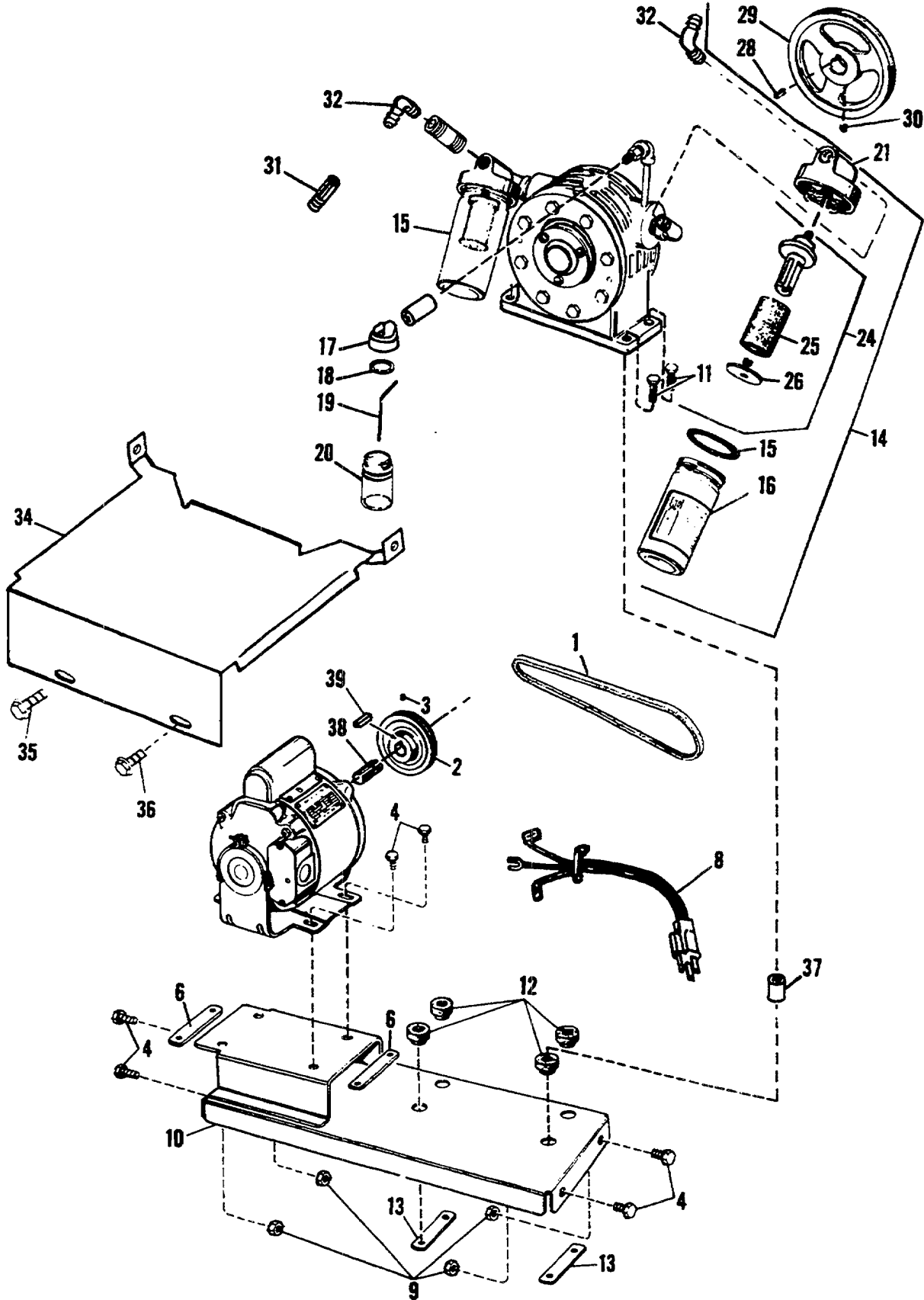


FIGURE 63  
MODEL 9815/9850 Compressor Assembly

# Parts Catalog

Index No.	Part No.	MODEL 9805/9850 Figure 63 Description	Units Per Assy.
1	054388	BELT - Compressor, (3L330) 33" (Old Design) .....	1
1	054479	BELT - Compressor, (3L340) 34" .....	1
2	072820	PULLEY ASSEMBLY - 3 1/2" O.D. (Old Design) .....	1
2	018571	PULLEY ASSEMBLY - 4" O.D. ....	1
3	001523	SCREW - Set Cup Point, 5/16-18 x 3/8 (W/Key) .....	1
4	014183	BOLT - Motor Mounting, 5/16-18 x 5/8 .....	8
5	014784	WASHER - .328 I.D. ....	4
6	073679	NUT PLATE .....	2
6	016882	NUT PLATE (New Style) .....	2
7	017859	MOTOR ASSEMBLY - Pump, 100/115V. 50/60HZ. ....	1
8	017998	CORD - Motor, 115V. ....	1
9	150085	NUT - 1/4-28 .....	4
10	008029	BASE - Pump .....	1
11	014121	BOLT - 3/8-24 x 1-1/2 .....	4
12	072840	GROMMET .....	4
13	072838	NUT PLATE .....	2
14	072821	COMPRESSOR ASSEMBLY .....	1
15	072261	GASKET .....	2
16	072852	BOTTLE .....	2
17	072262	COVER .....	1
18	072260	GASKET .....	1
19	072264	WICK .....	1
20	072854	BOTTLE .....	1
21	072161	COVER .....	1
22	072919	VANE- (Not Illustrated) .....	4
23	072920	SHIM - (Not Illustrated) .....	1
24	072265	FILTER ASSEMBLY .....	2
25	072855	FILTER .....	2
26	016569	CAP - Plastic .....	1
28	190398	KEY .....	1
29	072822	PULLEY - Pump .....	1
30	001523	SCREW - Set, 5/16-18 x 3/8 .....	1
31	073417	ADAPTER - Tube .....	2
32	072826	ELBOW 90° .....	2
34	025431	COVER - Shield .....	1
35	111073	SCREW - 1/4-28 x 5/8 .....	1
36	111069	SCREW - 1/4-28 x 3/8 .....	1
37	193810	SLEEVE - Grommet .....	4
38	073661	SLEEVE .....	1
39	196827	KEY .....	1

For Other Than 115 V. 60 Hz. or 115 V 50/60 Hz. Dual Usage

1	195177	BELT - Compressor, (3L350) 35" 50HZ. ....	1
2	195149	PULLEY ASSEMBLY - 4-1/2" O.D. 50HZ. ....	1
7	017859	MOTOR ASSEMBLY - Pump, 200/230V. 50/60Hz. ....	1
7	075910	MOTOR ASSEMBLY - Pump, 240V. 50Hz. ....	1
8	017823	CORD - Motor .....	1