

# Parts Catalog

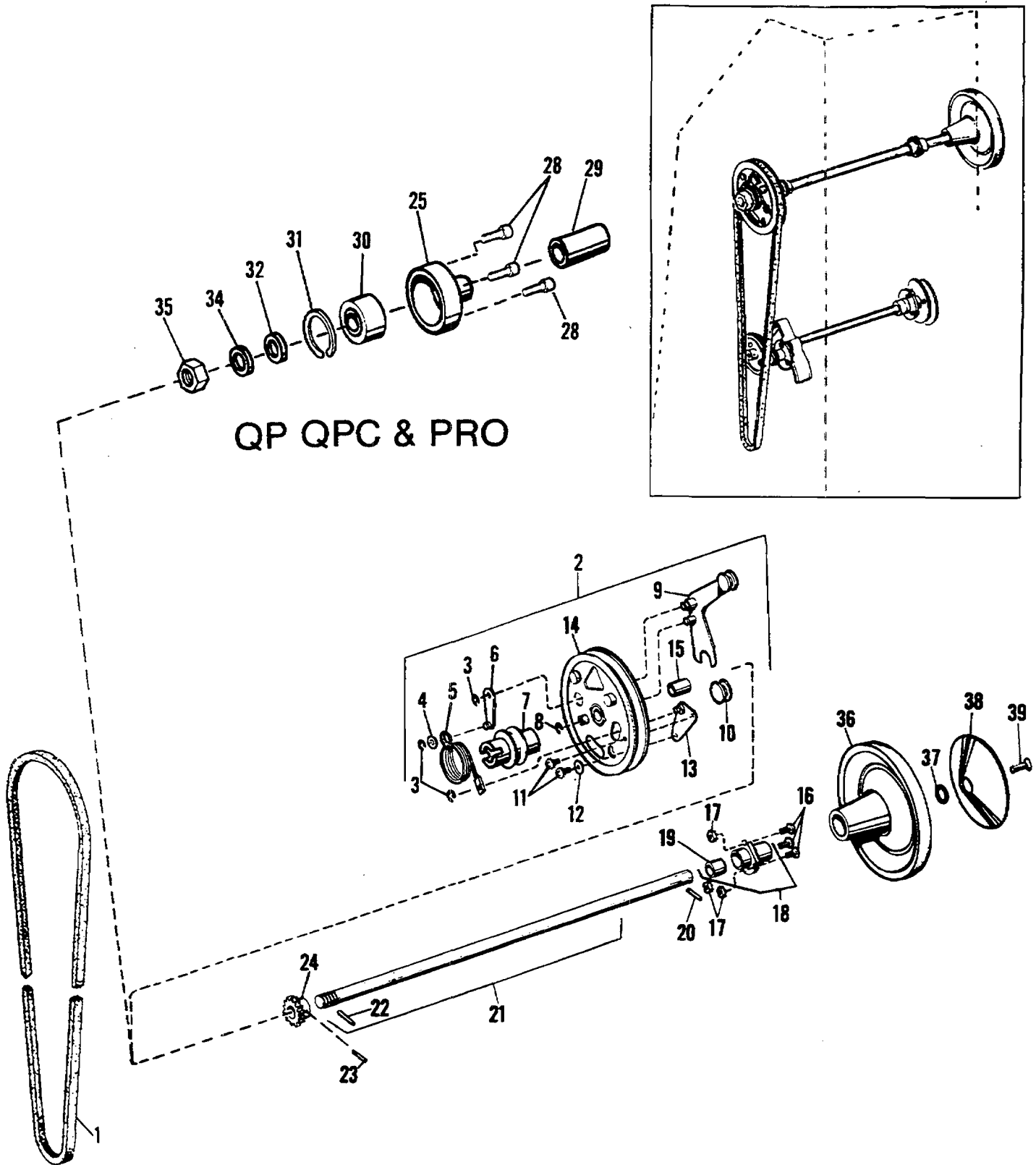


FIGURE 30  
MODEL 9815/9850 Clutch Assembly and Drive Shaft

# Parts Catalog

Index No.	Part No.	MODEL 9805/9850 Figure 30 Description	Units Per Assy.
1	078580	BELT - Drive, 115 V. 60 Hz., (4L-51" Circum) QP, QPC & PRO	1
1	196773	BELT - Drive, 115 V. 60 Hz., (4L-50" Circum)	1
1	072668	BELT - Drive, 115 V. 60 Hz., (3L-50") Circum, TD and CD	1
2	079871	CLUTCH ASSEMBLY - QP, QPC and PRO (4L Belt) 5/8"	1
2	077237	CLUTCH ASSEMBLY - TD and CD (3L Belt) 1/2"	1
3	001097	RING - Snap, .186 I.D. x .437 O.D. x .027	3
4	015213	WASHER - .223 I.D. x .375 O.D. x .029	1
5	073488	SPRING - Torsion, Clutch	1
6	041695	LINK - Weight Lever	1
7	400525	DRUM - Clutch, QP, QPC and PRO	1
7	072675	PINION - Clutch, TD and CD	1
8	001095	RING - Snap, .254 I.D. x 1/2 O.D. x .027	1
9	077234	LEVER - Weight	1
10	077233	WEIGHT - Sliding	1
11	001690	SCREW - 10-32 x 5/16	2
12	001702	WASHER - .195 ID. x 1/2 O.D. .031	1
13	072680	PLATE - Spring, Adjusting	1
14	077329	PULLEY - Clutch, TD and CD (3L Belt)	1
14	079872	PULLEY -Clutch, QP, QPC and PRO (4L Belt)	1
15	079868	BUSHING - .815 I.D. x .940 O.D. x 7.8 O.A.L., QP, QPC and PRO	1
15	001473	BUSHING - .503 I.D. x .625 O.D. x 3/4 O.A.L., TD and CD	1
16	111055	SCREW - 10-32 x 9/16	3
17	150083	NUT - 10-32	3
18	080247	HOUSING ASSEMBLY - Drive Shaft Bearing R.H., QP, QPC & PRO	1
18	007623	HOUSING ASSEMBLY - Drive Shaft Bearing R.H., TD and CD	1
19	*194801	BUSHING - TD and CD	1
20	101331	PIN - Spiral, .168 O.D. x .885 O.A.L.	1
21	016922	SHAFT ASSEMBLY - Drive, QP, QPC and PRO (5/8" Diameter)	1
21	016924	SHAFT ASSEMBLY - Drive, TD and CD (1/2" Diameter)	1
22	001981	PIN - Roll, .199 O.D. x .827 O.A.L., TD and CD	1
22	001986	PIN - Roll, .199 O.D. x .952 O.A.L., QP, QPC and CD	1
23	101331	PIN - Roll, .161 O.D. x .885 O.A.L., TD and CD	1
23	014972	PIN - Roll, .194 O.D. x .947 O.A.L., QP, QPC and PRO	1
24	080191	GEAR- Drive Shaft, QP, QPC and PRO	1
24	072669	GEAR - Drive Shaft, TD and CD	1
25	080522	HOUSING ASSEMBLY - Drive Shaft Bearing L.H. QP, QPC and PRO	1
25	007603	HOUSING ASSEMBLY - Drive Shaft Bearing L.H., TD and CD	1
26	*194801	BUSHING - TD and CD	1
27	014248	NUT - 10-32	3
28	001555	SCREW - 10-32 x 1/2	3
28	100185	SCREW - Socket Head, 10-32 x .438, QP, QPC and PRO	3
29	191481	SLEEVE - QP, QPC and PRO	1
30	190179	BEARING - QP, QPC and PRO	1
31	100646	RING - Retaining Internal, 1.769 O.D. x .047, QP, QPC & PRO	1
32	079866	SPACER - QP, QPC and PRO	1
34	014799	WASHER - .515 I.D. x 7/8 O.D. x .058, QP, QPC and PRO	1
35	196221	NUT- 1/2-20, QP, QPC and PRO	1
36	016907	HANDWHEEL	1
37	001781	RING - Radial, .331 I.D. x .027	1
38	071398	DISC - Handwheel	1
39	195088	SCREW - Shoulder, 10-32 x 15/16, QP, QPC and PRO	1
39	195370	SCREW - Shoulder, 10-32 x 9/16, TD and CD	1

\*Not Procurable Separately

For Other Than 115 V. 60 Hz. or 115 V. 50/60 Hz. Dual Usage

1	076203	BELT- Drive, 220/240 V. 50 Hz. (50-1/2" Circum)	1
---	--------	---	---