

Parts Catalog

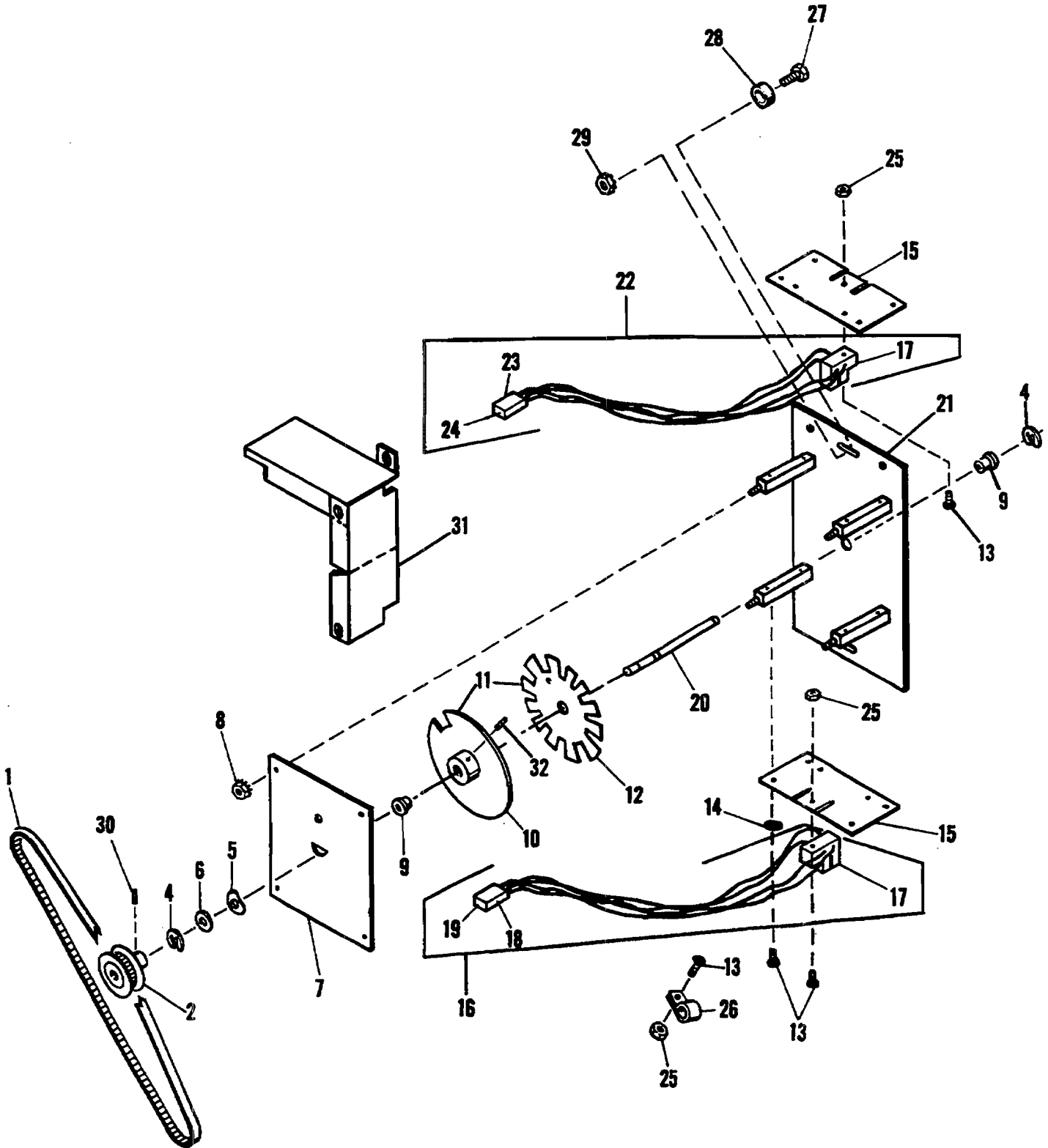


FIGURE 48
MODEL 9815/9850 Clock Sync. Mech. Assembly

Parts Catalog

Index No.	Part No.	MODEL 9805/9850 Figure 48 Description	Units Per Assy.
1	196239	BELT - Timing	1
2	196240	PULLEY - Timing	2
3	018391	CLOCK SYNC. MECH. ASSEMBLY - (New Design, Not Illustrated)	1
4	001095	RING - Retaining, .245 I.D. x .027	2
5	195645	WASHER - Spring, .324 I.D. x .510 O.D.	1
6	191826	WASHER - Shim, .318 I.D. x .010	A/R
7	017731	COVER PLATE- (Old Design)	1
7	018392	COVER PLATE - (New Design, Not Illustrated)	1
8	014808	NUT - 10-32	4
9	027071	BEARING	2
10	017729	WHEEL ASSEMBLY - Clock	1
11	018394	WHEEL ASSEMBLY - Clock/Sync. (New Design, Not Illustrated)	1
12	017730	WHEEL ASSEMBLY - Synchronizing	1
13	101216	SCREW - 4-40 x 3/8	12
14	001711	WASHER- Lock, .265 O.D. x .123 I.D.	8
15	017778	SENSOR MOUNTING PLATE	2
16	017951	SENSOR ASSEMBLY - Sync.	1
17	*252785	SWITCH - Optical, Slotted	2
18	252793	HOUSING - Socket	1
19	252527	TERMINAL - Pin	3
20	017779	SHAFT - (Old Design)	1
20	018398	SHAFT - (New Design)	1
21	017782	BASE PLATE ASSEMBLY - (Old Design)	1
21	018393	BASE PLATE ASSEMBLY - (New Design, Not Illustrated)	1
22	017952	SENSOR ASSEMBLY - Clock	1
23	252823	HOUSING - Plug	1
24	252528	TERMINAL - Socket	3
25	100228	NUT - 4-40	4
26	250552	CLAMP - Cable, 3/16	2
27	111075	SCREW - 1/4-28 x 7/8	2
28	193778	SPACER	2
29	014807	NUT - 1/4-28	2
30	130033	SCREW - Set, 8-32 x 1/4, cup point	2
31	018401	COVER - Clock/Sync.	1
31	018403	COVER - Clock/Sync. (New Design, Not Illustrated)	1
32	014249	SCREW - Set, 6-323 x 3/16	4

*Not Procurable Separately