

Parts Catalog

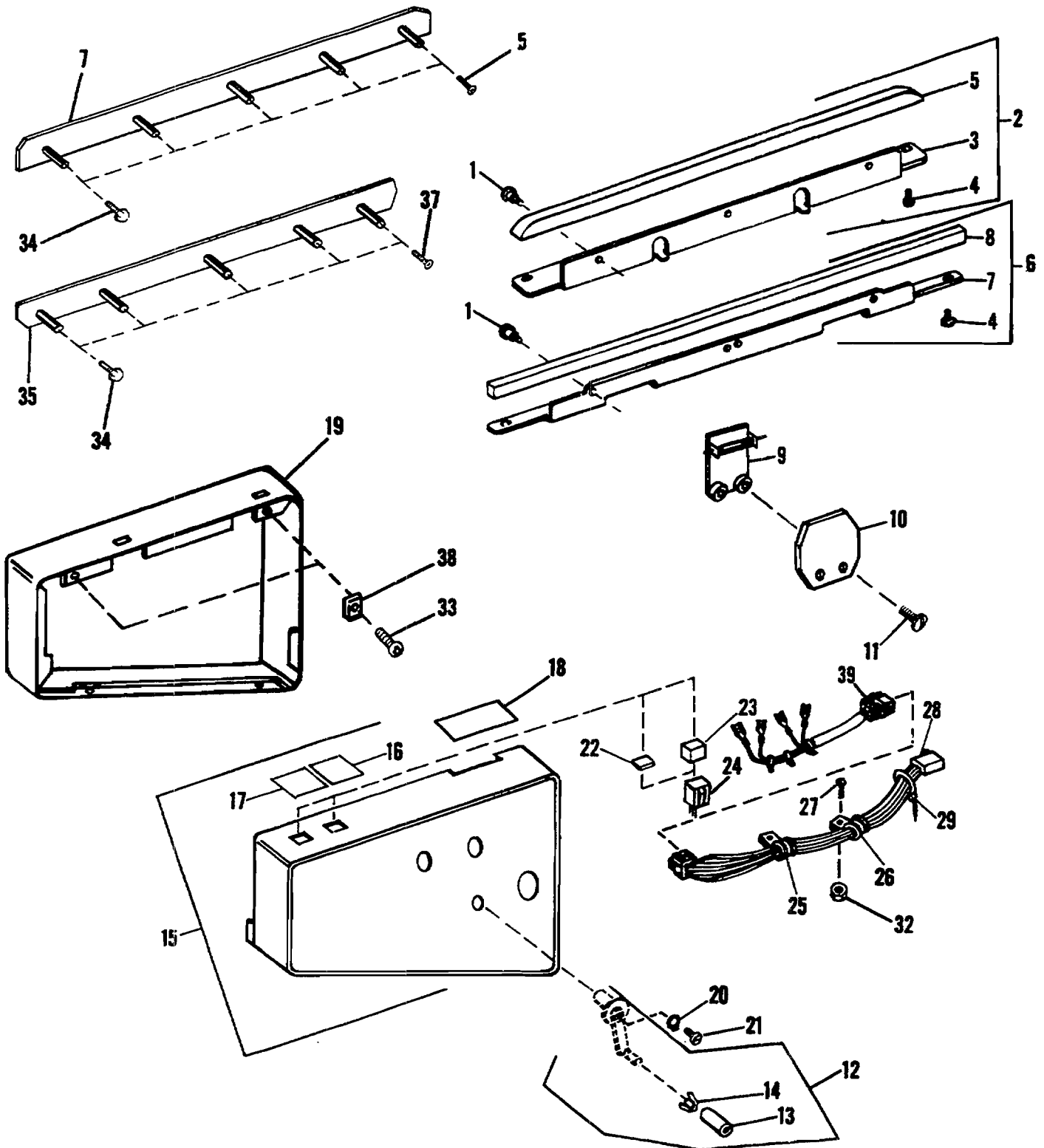


FIGURE 76
MODEL 9815/9850 Covers (C.D.) and Chain Support

Parts Catalog

Index No.	Part No.	MODEL 9805/9850 Figure 76 Description	Units Per Assy.
1	>081824	SCREW - Shoulder, 10-32 x 5/16	12
2	>078499	SUPPORT ASSEMBLY - Upper	2
3	>078479	SUPPORT - Upper Chain Track	2
4	>014337	SCREW - 6-32 x 5/16	8
5	>081822	TRACK - Upper Chain	2
6	>078497	SUPPORT ASSEMBLY - Lower	2
7	>078498	SUPPORT - Lower Chain Track	2
8	>078449	TRACK - Lower Chain	2
9	>076864	SWITCH - Reed	1
10	>007932	SHIELD - Reed Switch	1
11	120033	SCREW - 10-16 x 1/2	1
12	>017029	CRANK ASSEMBLY - Guide Adjusting	2
13	017593	HANDLE- Crank Assembly	1
14	072052	SPRING LOCK - Crank Handle	1
15	>016909	COVER - O.S., CD	1
15	016587	COVER - O.S., 9820	1
15	>017580	COVER - O.S., QPC & PRO	1
15	>018507	COVER - O.S., 9840 B	1
15	016588	COVER - O.S., 9840 & 9850	1
15	087705	COVER - O.S., 9840 & 9850, Square Corners	1
15	016591	COVER - O.S., 9840 B	1
15	016586	COVER - O.S., 9810	1
15	087703	COVER - O.S., 9810, Square Corners	1
16	017018	DECAL - Feed, On/Off	1
17	017017	DECAL - Proof, QPC & PRO	1
18	016546	DECAL - Table Raise	1
19	>017558	COVER - N.O.S.	1
19	>018508	COVER - N.O.S., 9840 B	1
19	016585	COVER - N.O.S. 9810, 9820, 9840 & 9850	1
19	016590	COVER - N.O.S. 9840 B	1
19	087702	COVER - N.O.S., Square Corners	1
20	039642	RING - Plastic	2
21	196244	SCREW - Special, 10-32 x 1.000	2
22	253031	LENS - Cap, Proof, QPC & PRO	2
23	252993	LENS - Cap, Feed (Old Design)	1
24	253002	SWITCH - Low Profile, Proof & Feed	2
25	>250202	CLAMP - Cable, CO	2
26	250205	CLAMP - Cable, QPC & PRO	4
27	>014369	SCREW - 8-32 x 3/8	2
27	111035	SCREW - 8-32 x 7/16	4
28	>017865	CABLE ASSEMBLY - Feed, CD	1
28	016746	CABLE ASSEMBLY - Feed, CD	1
28	016696	CABLE ASSEMBLY - Feed, CD (New Style)	1
28	>017016	CABLE ASSEMBLY - Feed & Proof, QPC & PRO	1
28	016747	CABLE ASSEMBLY- Feed & Proof, QPC & PRO	1
28	016695	CABLE ASSEMBLY - Feed & Proof, QPC & PRO (New Style)	1
29	250077	STRAP - Cable Tie	7
32	150081	NUT - 8-32	4
33	>114281	SCREW - 10-32 x 3/4	6
33	014311	SCREW - 8-15 x 5/8	9
33	101145	SCREW - 10-12 x 3/4	9
34	101941	SCREW - Self-Tapping, 10-16 x 3/4	16
35	016446	TRACK - Chain, Lower	1
36	016445	TRACK - Chain, Upper	1
37	101942	SCREW - Flat Head, Self-Tapping, 10-16 x 3/4	4
38	>001884	NUT - Speed, #8	4
38	101144	NUT - Speed, #10	4
39	016699	HARNESS ASSEMBLY- Feed, 9820 (Cover)	1
39	025659	HARNESS ASSEMBLY- Feed & Proof, 9840/50/60 (Cover)	1

>For Chain Delivery With Aluminum Frames