

Parts Catalog

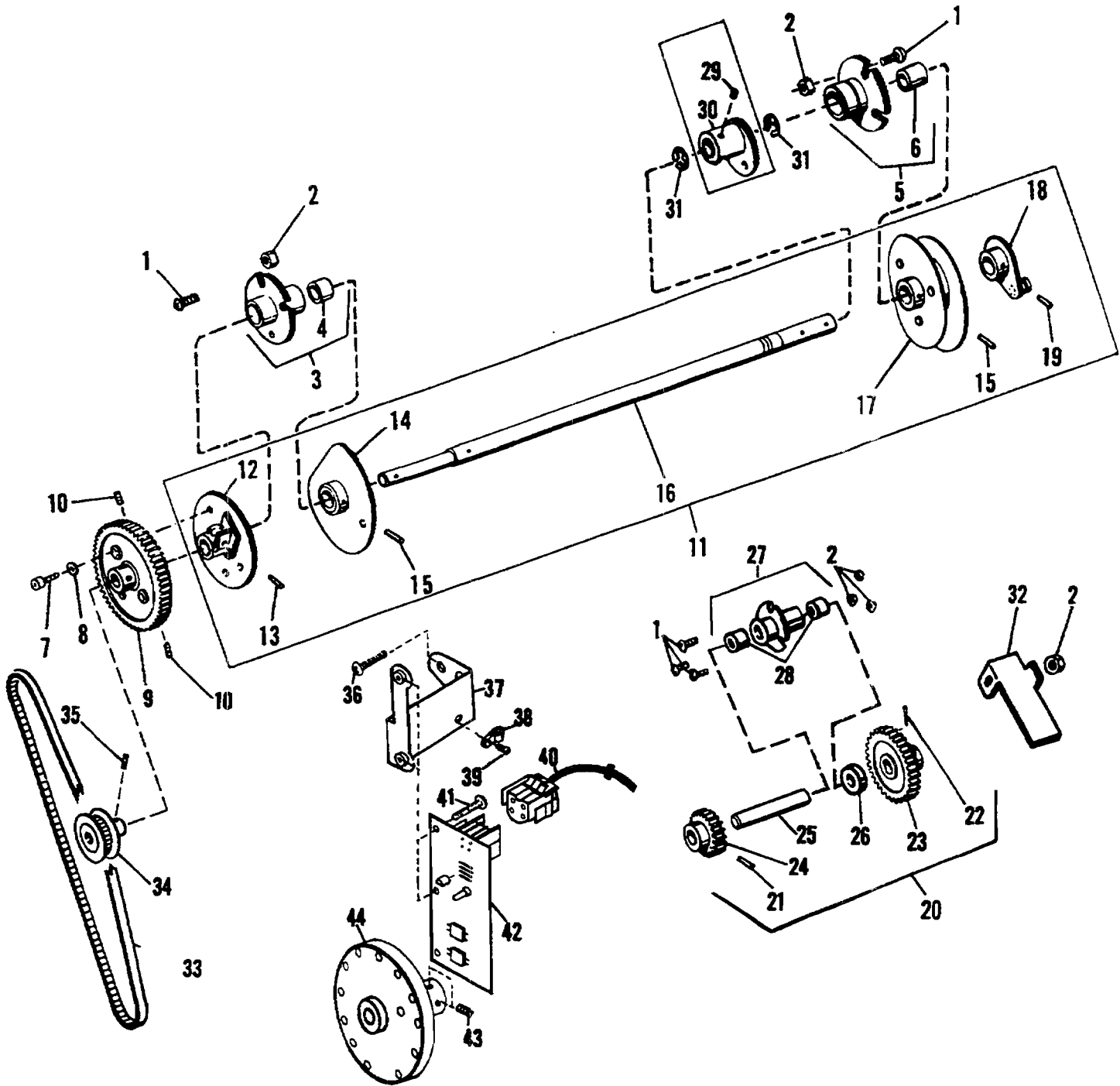


FIGURE 47
MODEL 9815/9850 Cam Shaft Assembly

Parts Catalog

Index No.	Part No.	MODEL 9805/9850 Figure 47 Description	Units Per Assy.
1	111055	SCREW - 10-32 x 9/16	9
2	150083	NUT - 10-32	9
3	073506	HOUSING ASSEMBLY - 3/8" Diameter Shaft	1
3	080376	HOUSING ASSEMBLY - 1/2" Diameter Shaft	1
4	001456	BUSHING - .379 I.D. x .504 O.D. x 1.000 O.A.L.	1
4	001416	BUSHING- .504 I.D. x .627 O.D. x 1.000 O.A.L.	3
5	072181	HOUSING ASSEMBLY	1
6	001420	BUSHING	1
7	014212	SCREW - 1/4-28 x 3/4	3
8	005620	WASHER - .254 I.D. x 5/8 O.D. x .059	3
9	080378	GEAR	1
10	014342	SCREW - 10-32 x 5/8	2
11	017822	SHAFT ASSEMBLY - Cam, Optical TD & QP - 3/8" DIA.	1
11	017487	SHAFT ASSEMBLY - Cam, Hall Effect TD & QP - 3/8" DIA.	1
11	017821	SHAFT ASSEMBLY - Cam, Optical CD, QPC & PRO - 1/2" DIA.	1
11	017485	SHAFT ASSEMBLY - Cam, Hall Effect CD, QPC & PRO - 1/2" DIA.	1
12	*080414	CAM	1
13	000022	PIN - Taper, .163 O.D. x .790 O.A.L.	1
15	000023	PIN - Taper, .158 O.D. x .978 O.A.L.	2
16	*017780	SHAFT	1
18	*072605	CAM	1
19	000024	PIN - Taper, .154 O.D. x 1.094 O.A.L.	1
20	>078450	GEAR SHAFT ASSEMBLY - CD, QPC & PRO	1
20	016380	GEAR SHAFT ASSEMBLY - CD, QPC & PRO	1
20	072336	GEAR SHAFT ASSEMBLY- TD & QP	1
21	014902	PIN - Taper, .110 O.D. x .720 O.A.L.	2
22	>001992	PIN - Roll, .135 O.D. x 1.015 O.A.L. TD, CD, OP, QPC & PRO	1
22	101333	PIN - Spiral, .136 O.D. x .947 O.A.L.	1
22	000012	PIN - Taper, .123 O.D. x .998 O.A.L.	1
23	*071625	GEAR - TD and QP	1
23	*078445	GEAR - CD, QPC and PRO	1
24	*072338	GEAR	1
25	*072337	SHAFT	1
26	192273	SPACER - TD and QP	1
27	072333	HOUSING ASSEMBLY	1
28	001404	BUSHING - TD & QP	2
29	001573	SCREW - Set, 1/4-28 x 5/16, CD, QPC & PRO	2
30	080199	CAM - CD, QPC & PRO	1
31	014510	RING - E, .483 I.D. x .940 O.D. x .044 CD, QPC & PRO	2
32	072051	SHIELD	1
33	196239	BELT - Timing	1
34	196240	PULLEY - Timing, Optical	1
35	130033	SCREW - Set, 8-32 x 1/4, cup point	2
36	001567	SCREW - 1/4-28 x 3/8	2
37	017478	BRACKET ASSEMBLY - Clock, Hall Effect	1
38	250205	CLAMP - Cable, 1/8	1
39	100222	SCREW - Thread Forming, #6 x 5/16	1
40	017490	HARNESS ASSEMBLY - N.O.S., Hall Effect	1
40	990520	HARNESS ASSEMBLY - Hall Effect, (Old Design)	1
41	001541	SCREW - 6-32 x 3/8	2
42	017742	P.C. BOARD ASSEMBLY- Clock/Sync., Hall Effect	1
43	014108	SCREW - Set, 10-32 x 3/8	2
44	017480	WHEEL ASSEMBLY - Hall Effect	1

*Not Procurable Separately

>For Chain Delivery with Aluminum Frames