

Parts Catalog

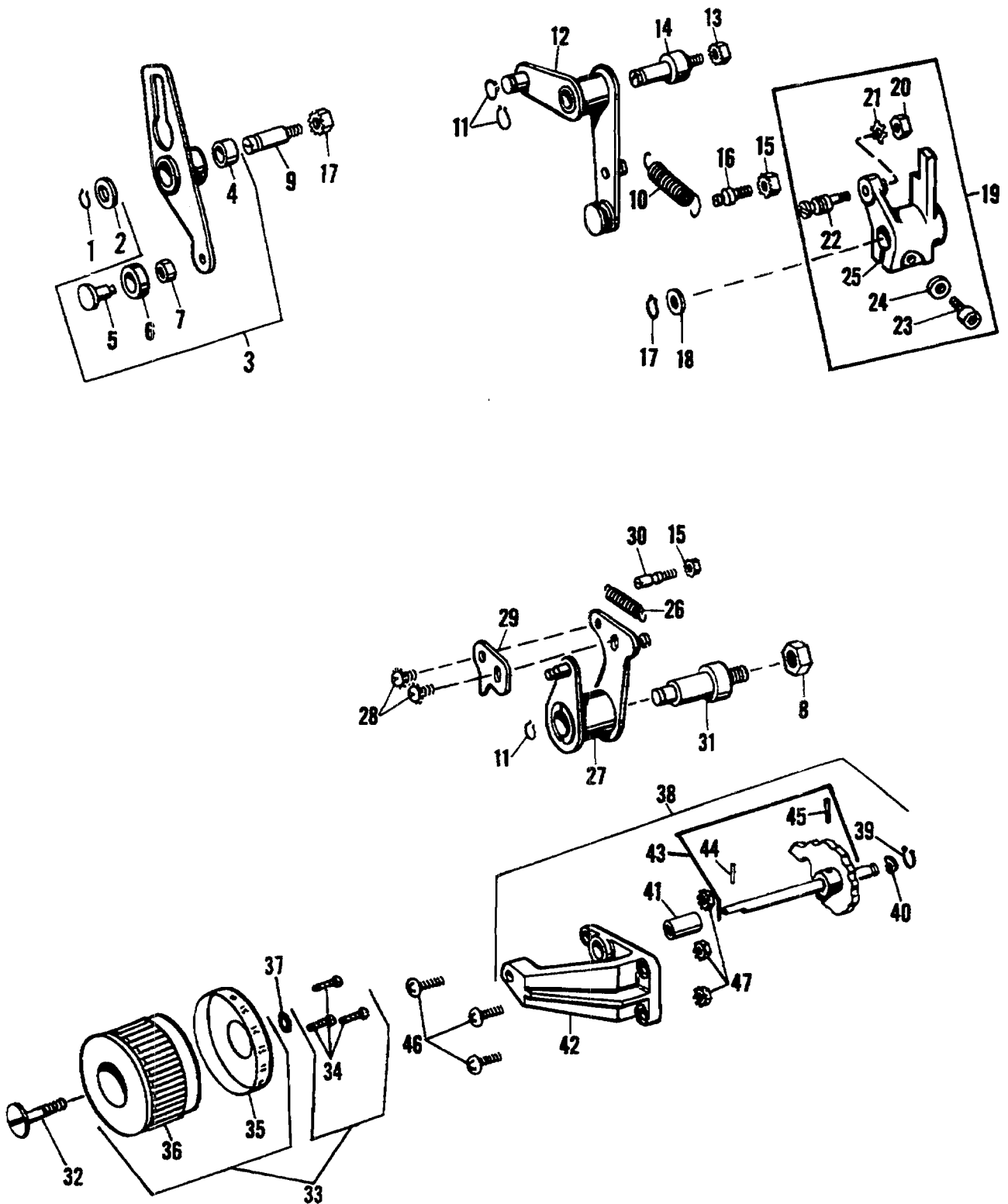


FIGURE 37
MODEL 9815/9850 Buckle Adjusting and Lever Assemblies

Parts Catalog

Index No.	Part No.	MODEL 9805/9850 Figure 37 Description	Units Per Assy.
1	001075	RING - Retaining, .397 I.D. x .027	1
2	190149	WASHER - .441 I.D. x .687 O.D. x .029	1
3	007743	LEVER ASSEMBLY - Forwarding	1
4	001493	BUSHING	1
5	072790	RIVET	1
6	072176	TRUCK	1
7	072175	BUSHING	1
8	150089	NUT - 3/8-24	2
9	190110	STUD - Forwarding Lever Assembly	1
10	078744	SPRING - Tension, .406 O.D. x 1.937 O.A.L.	1
11	001047	RING - Retaining, .340 I.D. x .027	3
12	072199	HUB ASSEMBLY - Buckle Adjustment	1
13	150085	NUT - 1/4-28	1
14	072201	STUD - Buckle Adjustment Hub	1
15	014808	NUT - 10-32	2
16	072186	SPRING ANCHOR - Buckle Adjustment Hub Spring	1
17	001062	RING - Retaining, .258 I.D. x .027	1
18	016574	WASHER - .315 I.D. x .687 O.D. x .047	1
19	072382	LEVER ASSEMBLY - Counter Operating	1
20	014844	NUT - 8-32	1
21	001722	WASHER - Lock, .172 I.D. x .375 O.D. x .020	1
22	072427	PIN - Eccentric	1
23	014219	SCREW - 1/4-20 x 3/4	1
24	005071	WASHER - .253 I.D. x .500 O.D. x .059	1
25	072383	LEVER - Counter Operating	1
26	073333	SPRING - Tension, .296 O.D. x 1.187 O.A.L.	1
27	072488	LEVER ASSEMBLY - Double	1
28	001691	SCREW - 10-32 x 1/4	2
29	072491	PLATE - Contacting Regulator	1
30	072482	SPRING ANCHOR - Double Lever Spring	1
31	080153	STUD - Double Lever	1
32	196247	SCREW - Special, 10-32 x 1-1/8	1
33	017806	KNOB ASSEMBLY- Buckle Adjusting	1
34	014529	RIVET - Drive, #2 x 1/4	3
35	017750	DIAL - Buckle Adjusting Knob	1
36	017738	KNOB - Buckle Adjusting	1
37	039642	RING - Vinyl, .155 I.D. x .075	1
38	076605	CAM SHAFT AND HOUSING ASSEMBLY	1
39	001046	RING - Retaining, .283 I.D. x .027	1
40	195645	WASHER - Spring, .324 I.D. x .510 O.D. x .085	1
41	001498	BUSHING - .316 I.D. x .504	1
42	072207	HOUSING ASSEMBLY - Cam	1
43	072205	SHAFT ASSEMBLY - Cam	1
44	001990	PIN - Roll, .135 O.D. x .515 O.A.L.	1
45	014902	PIN - Taper, .110 O.D. x .720 O.A.L.	1
46	014149	SCREW - 10-32 x 11/16	3
47	150083	NUT - 10-32	3