

Parts Catalog

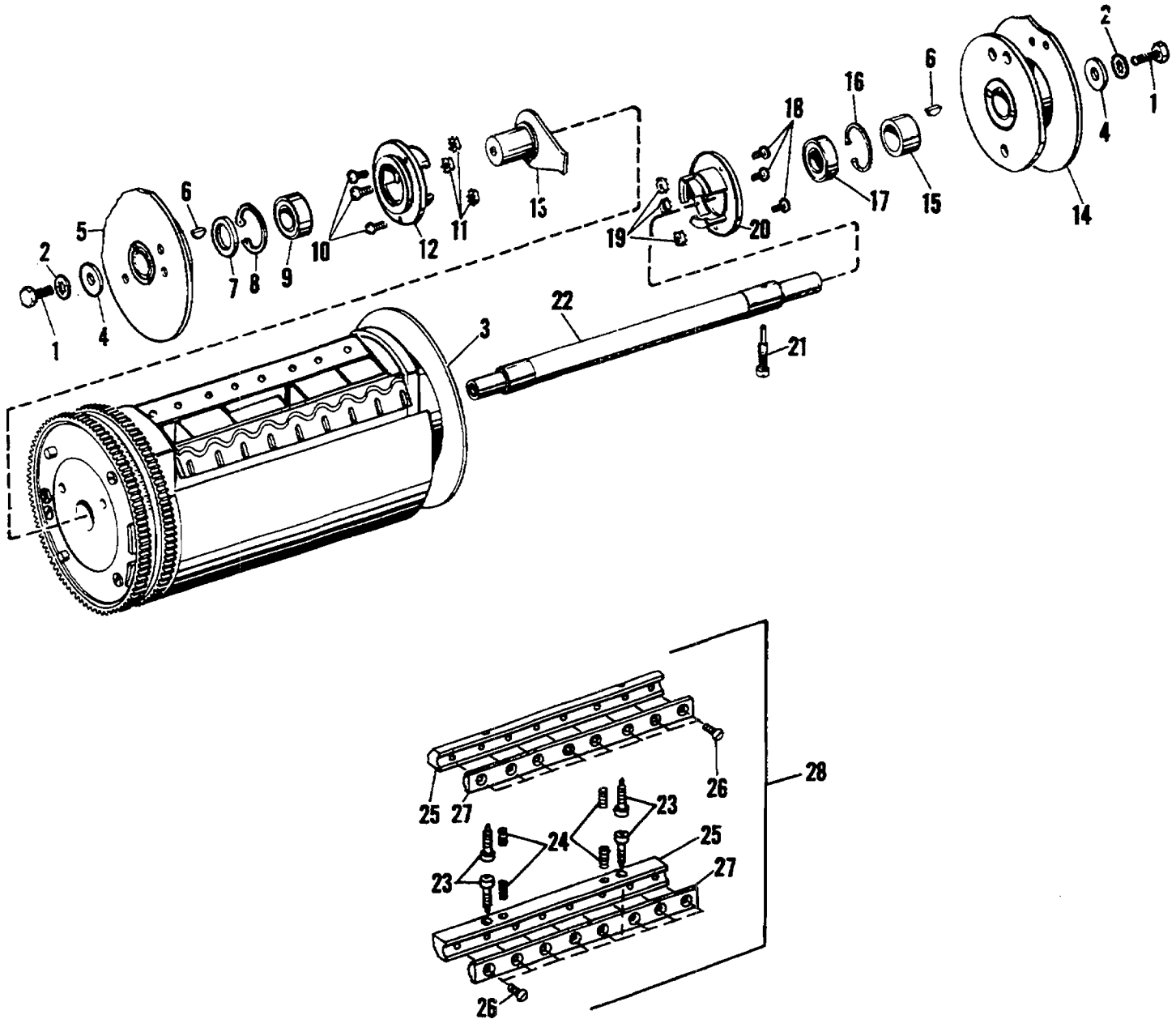


FIGURE 28
MODEL 9815/9850 Blanket Cylinder Assembly

Parts Catalog

Index No.	Part No.	MODEL 9805/9850 Figure 28 Description	Units Per Assy.
1	014192	SCREW - 5/16-24 x 3/4	2
2	014721	WASHER - Lock, .326 I.D. x .600 O.D. x .030	2
3	***009550	CYLINDER ASSEMBLY - Blanket	1
4	014748	WASHER - .328 I.D. x 1.250 O.D. x .093	2
5	009667	CAM ASSEMBLY - Blanket Cylinder N.O.S. (9815/9850)	1
5	078532	CAM ASSEMBLY - Blanket Cylinder N.O.S. (9805-9810)	1
6	078527	KEY - Woodruff, #505	2
7	078551	SPACER - 1.000 I.D. x 1.500 O.D. x .259	1
8	001066	RING - Retaining, Internal, 2.320 O.D. x .081	1
9	078520	BEARING - .984 I.D. x 2.047 O.D.	1
10	111057	SCREW - 10-32 x 3/4	3
11	150083	NUT - 10-32	3
12	400781	HOUSING - L.H., Bearing	1
13	082103	ARM ASSEMBLY - Blanket Cylinder	1
14	017840	CAM ASSEMBLY - Blanket Cylinder O.S. (9815/9850)	1
14	076083	CAM ASSEMBLY - Blanket Cylinder O.S. (9805/9810)	1
15	078524	SPACER - 51/64 I.D. x 1.250 O.D. x .547	1
16	001065	RING - Retaining, Internal, 2.089 O.D. x .065	1
17	078714	BEARING - .787 I.D. x 1.850 O.D.	1
18	111055	SCREW - 10-32 x 9/16	3
19	150083	NUT - 10-32	3
20	082171	HOUSING - R.H., Bearing	1
21	080718	SCREW - Special, 3/8-24 x 1-7/16	1
22	007633	SHAFT - Blanket Cylinder	1
23	190236	SCREW - 1/4-28 x 1-1/2	4
24	014313	SCREW - Set, 1/4-28 x 1.000	4
25	007767	CLAMP - Body	2
26	014151	SCREW - 10-32 x 1/2	20
27	007766	CLAMP TOP	2
28	018405	BLANKET BAR KIT	1
29	100392	BLANKET SCREW INSERTS - 3/8-16 x .370 (Not Illustrated)	4

***Not Available As An Assembly