

Parts Catalog

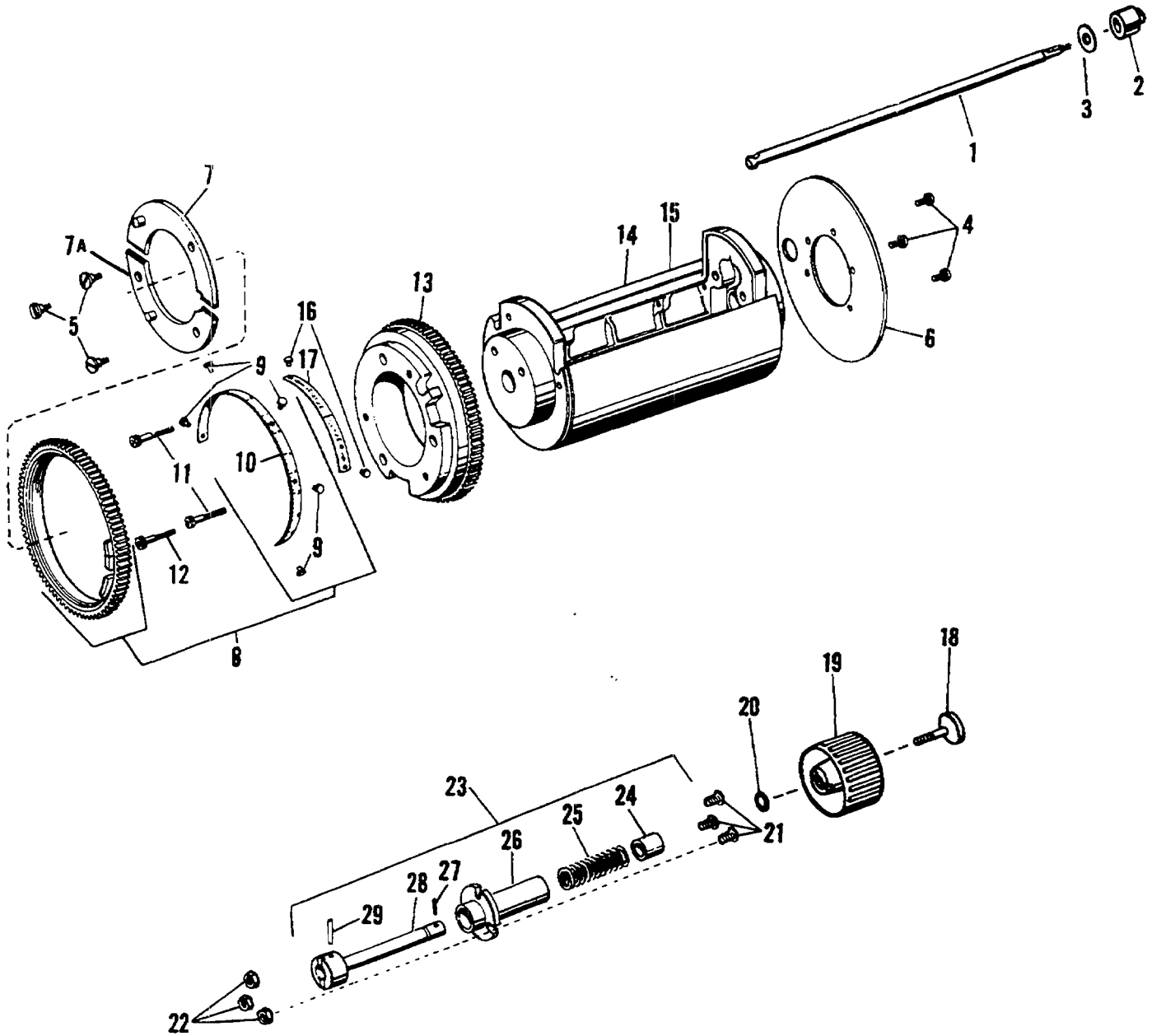


FIGURE 29
MODEL 9815/9850 Print Adjusting and Blanket Cylinder Assembly

Parts Catalog

Index No.	Part No.	MODEL 9805/9850 Figure 29 Description	Units Per Assy.
1	018580	ROD - Clamp	1
2	018469	NUT- 3/8-40	1
3	003586	WASHER - 7/8 I.D. x 3/4 O.D. x 1/16 use new Thrust Washer 403296.....	1
4	111073	SCREW - 1/4-28 x 5/8, Shield.....	3
6	009553	SHIELD - Blanket Cylinder	1
7	018575	RING ASSEMBLY - Blanket Cylinder L.H.	1
7A	018577	RING ASSEMBLY - Blanket Cylinder R.H.	1
8	009548	GEAR - Vertical Print Adjustment	1
9	100508	PIN - Driv-Loc, .060 x .1875	5
10	080719	SCALE- Inch	1
11	014157	SCREW - 1/4-28 x 1-1/4	2
12	078556	SCREW - Dowel, 1/4-28 x 1-3/16	1
13	009554	GEAR - Blanket Cylinder.....	1
14	009551	CYLINDER - Blanket	1
15	100392	INSERT - 3/8-16 x .370 (Not Illustrated)	4
16	014570	PIN - Driv-Loc, .076 x .1875	2
17	078552	INDICATOR - Vertical Print Adjusting	1
18	196248	SCREW - Special, 10-32 x 7/8	1
19	017739	KNOB - Print Adjusting	1
20	039642	RING - Vinyl, .135 x .075	1
21	111055	SCREW - 10-32 x 9/16.....	3
22	150083	NUT - 10-32	3
23	009558	PRINT ADJUSTING ASSEMBLY	1
24	078542	BUSHING - .380 I.D. x .562 O.D. x .750 O.A.L.	1
25	078541	SPRING - Compression, .510 O.D. x 1.156 O.A.L.	1
26	076856	HOUSING - Print Adjusting	1
27	014921	PIN - Roll, .135 O.D. x .890 O.A.L.	1
28	009559	ROD ASSEMBLY - Print Adjusting	1
29	001987	PIN - Roll, .167 O.D. x .890 O.A.L.	1