

Parts Catalog

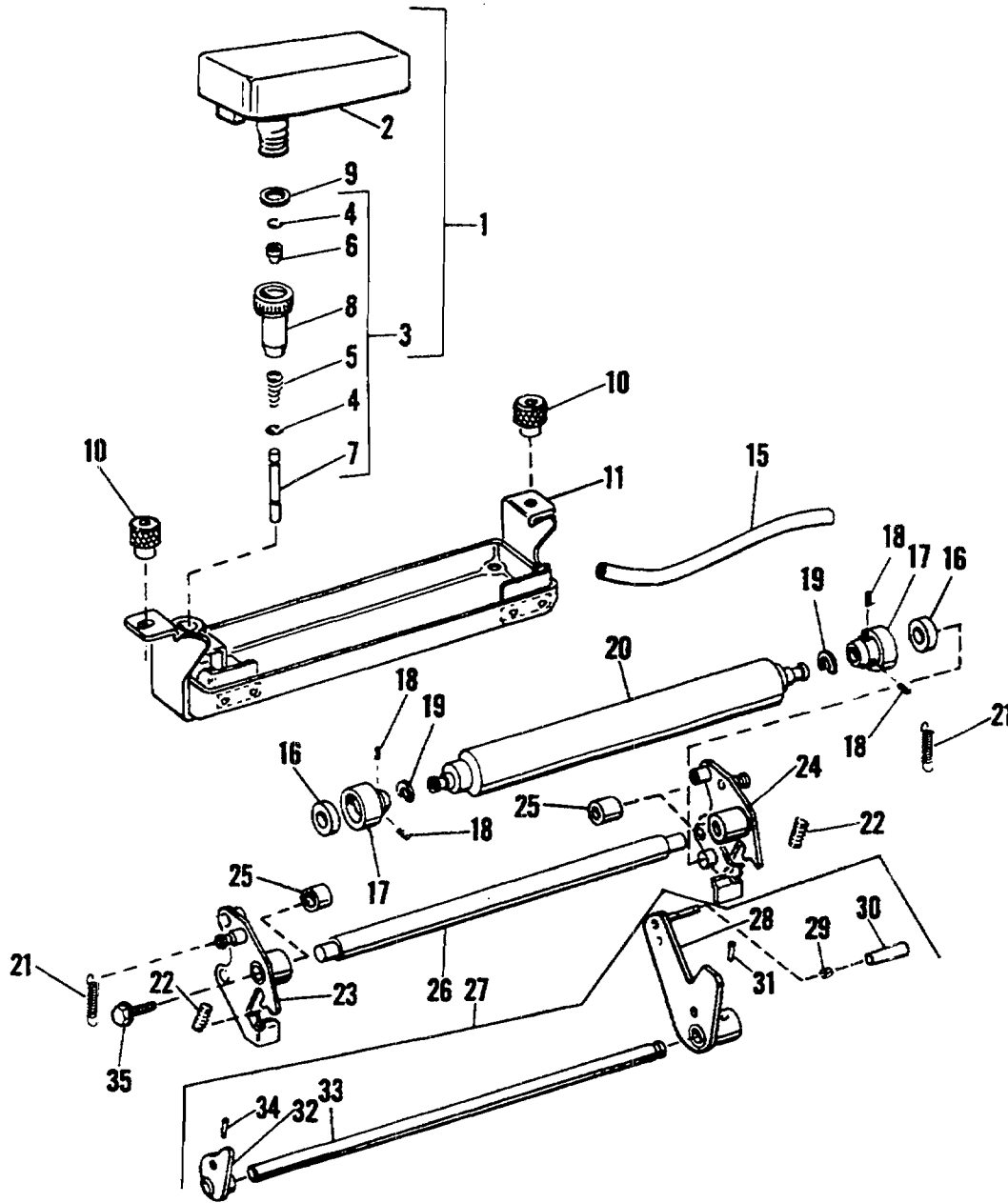


FIGURE 7
MODEL 9815/9850 Aquamatic - Part I

Parts Catalog

Index No.	Part No.	MODEL 9805/9850 Figure 7 Description	Units Per Assy.
1	***017674	BOTTLE ASSEMBLY - Repellent	1
2	012141	BOTTLE - Repellent	1
3	017747	VALVE ASSEMBLY	1
4	014507	RING - Retaining - .095 I.D.	2
5	073308	SPRING - Valve Pin	1
6	040868	SEAL - Bottle Cap	1
7	080536	VALVE PIN	1
8	017820	CAP - Bottle	1
9	400543	WASHER - Bottle Cap	1
10	080581	KNOB - Trough Mounting	2
11	007653	TROUGH ASSEMBLY	1
15	191586	HOSE - Trough Drain	1
16	080505	BEARING - Ductor Roller	2
17	080504	HOUSING - Ductor Roller Bearing, TD, CD, QP and QPC	2
17	080591	HOUSING - Bearing, PRO	2
18	014372	SCREW - Set, 10-32 x 1/4	4
19	014518	RING - Retaining, .395 I.D.	2
20	007668	ROLLER - Ductor, Rubber TD, CD, QP and QPC	1
20	007859	ROLLER - Ductor, Stainless Steel, PRO	1
21	073542	SPRING - Tension, 3/8 O.D. x 1-5/16 O.A.L.	2
22	073540	SPRING - Compression, 13/32 O.D. x 1-1/2 O.A.L.	2
23	080541	CARRIER ASSEMBLY - L.H., Ductor Roller, N.O.S.	1
24	080539	CARRIER ASSEMBLY - R.H., Ductor Roller, O.S.	1
25	001416	BUSHING - .502 I.D. x .625 O.D. x .750 O.A.L.	2
26	007684	TIE BAR - Carrier Assembly	1
27	017707	SHAFT ASSEMBLY - Aquamatic Control	1
27	018544	SHAFT ASSEMBLY - Aquamatic Control (9840 B)	1
28	017708	LEVER ASSEMBLY - Aquamatic Control	1
28	018534	LEVER ASSEMBLY - Aquamatic Control (9840 B)	1
29	072052	SPRING - Lock	1
30	011371	KNOB - Control Lever	1
30	017593	KNOB - Control Lever (9840 B)	1
31	001978	ROLL PIN - .135 O.D. x .765 O.A.L.	1
32	*007958	CAM ASSEMBLY - Aquamatic Control	2
33	*007656	SHAFT - Aquamatic Control	1
34	195396	PIN - Taper, .110 O.D. x .625 O.A.L.	2
35	111089	SCREW	2

*Not Procurable Separately

***Not Available As An Assembly