

# Parts Catalog

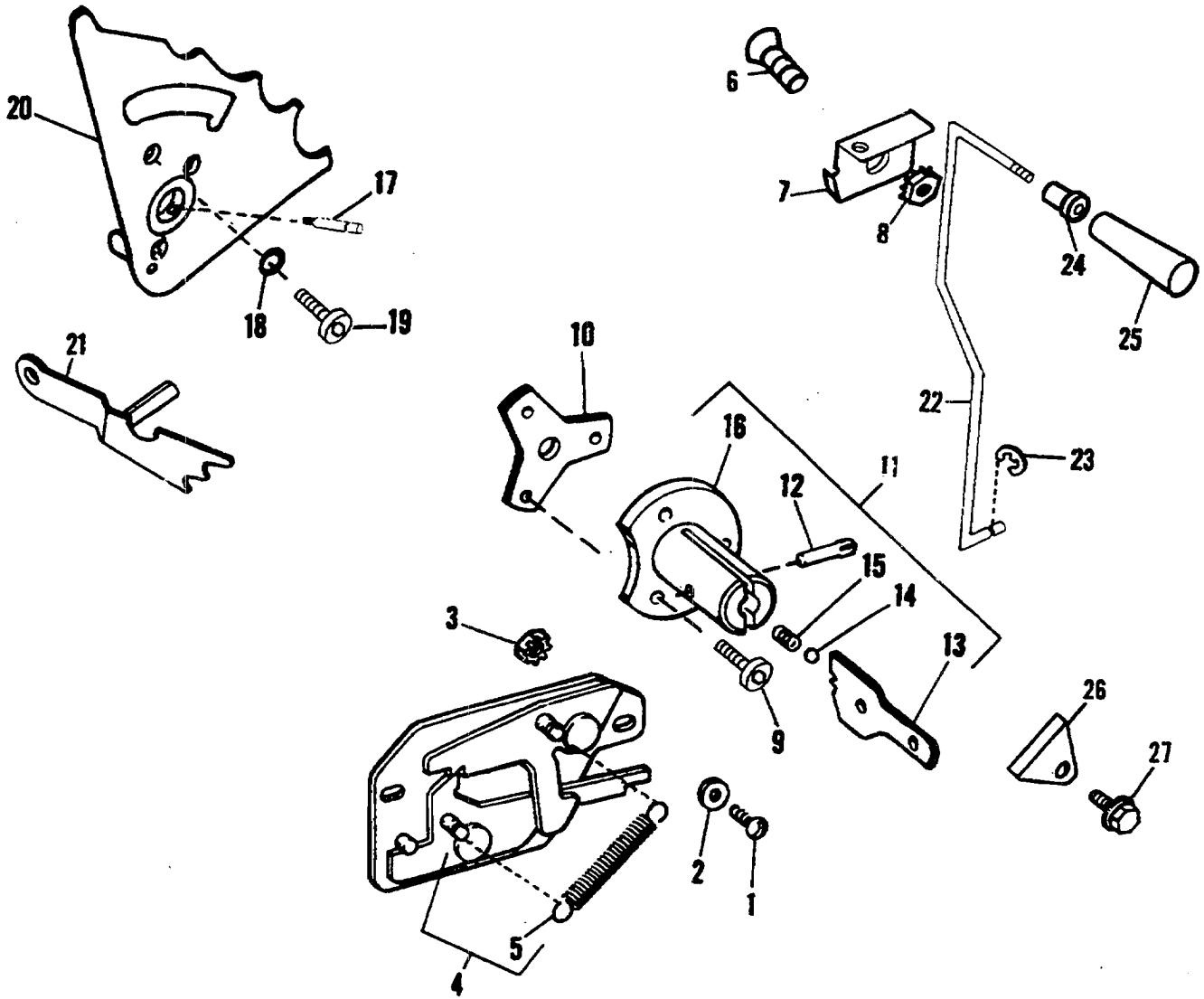


FIGURE 38A  
MODEL 9815/9850 Alternate Sheet Feed

# Parts Catalog

Index No.	Part No.	MODEL 9805/9850 Figure 38A Description	Units Per Assy.
1	001185	SCREW - 10-32 x 7/16 .....	2
2	021563	WASHER - .194 I.D. ....	2
3	014808	NUT - 10-32 .....	2
4	075555	PLATE AND LEVER ASSEMBLY .....	1
5	073325	SPRING - Tension, .375 O.D x 1.375 O.A.L. ....	1
6	100585	SCREW - 1/4-28 x 3/4 .....	1
7	018213	BRACKET .....	1
8	014807	NUT - Lock, 1/4-28 .....	1
9	100345	SCREW - Cap, 10-32 x 5/8 .....	3
10	074915	PLATE - Adapter .....	1
12	075833	FEED CONTROL ASSEMBLY - Alternate Sheet .....	1
12	075567	PIN - Control Lever Pivot .....	1
13	018209	LEVER - Feed Control .....	1
14	075566	BEARING - Feed Control Assembly .....	1
15	190266	SPRING - Compression, .178 O.D. x 12/32 O.A.L. ....	1
16	075834	STUD - Feed Control Lever .....	1
18	071610	ECCENTRIC - Cam .....	1
19	014350	SCREW - Cap, 10-32 x 5/16 .....	1
20	075537	CAM - Sequence .....	1
21	075836	PAWL Table Latch .....	1
22	018214	ROD .....	1
23	014504	RING - Retaining, .144 I.D. x .025 .....	1
24	101692	BUSHING - Nylon .....	1
25	037060	KNOB .....	1
26	075839	RETAINER - Feed Control .....	1
27	111051	SCREW - 10-32 x 5/16 .....	1