

# Parts Catalog

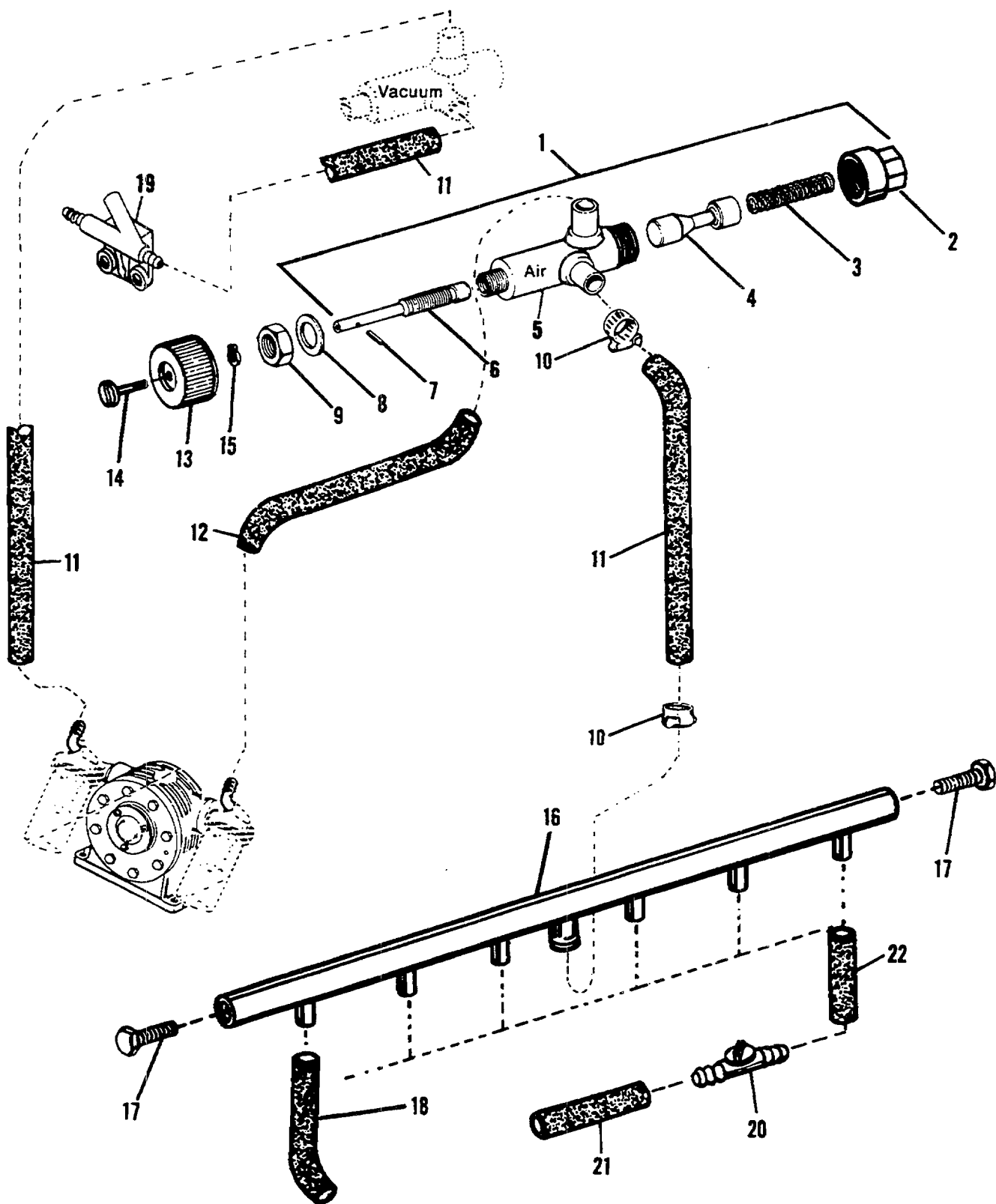


FIGURE 62  
MODEL 9815/9850 Air and Vacuum Valve Assembly

# Parts Catalog

Index No.	Part No.	MODEL 9805/9850 Figure 62 Description	Units Per Assy.
1	016897	AIR AND VACUUM VALVE ASSEMBLY .....	2
2	013010	PLUG - Air and Vacuum .....	1
3	080481	SPRING - Compression, .400 O.D. x 2.437 O.A.L. ....	1
4	013007	VALVE SPOOL- Valve Body .....	1
5	013434	VALVE BODY - Air and Vacuum .....	1
6	016898	SHAFT - Air and Vacuum .....	1
7	001990	PIN - Roll, .131 O.D. x .485 O.A.L. ....	1
8	021911	WASHER - .578 I.D. x .875 O.D. ....	2
9	191473	NUT - Nylon .....	2
10	072741	CLAMP - Hose .....	6
11	072257	HOSE - 18.000 O.A.L. ....	3
12	072256	HOSE - 35.000 O.A.L. ....	3
13	017735	KNOB - Air and Vacuum .....	2
14	196246	SCREW - Dowel, 1/4-28 .....	2
15	039642	RING - Vinyl, .135 I.D. ....	1
16	007672	HEADER ASSEMBLY .....	1
17	111073	SCREW - 1/4-28 x 5/8 .....	2
18	195197	TUBING - 5/16 I.D. x .469 O.D. x 6-3/8 O.A.L. ....	6
19	076142	VALVE - Vacuum .....	1
20	196612	VALVE - Shut Off .....	2
21	196610	TUBING - 5/16 I.D. X .469 O.D. X 1-13/16 O.A.L. ....	2
22	196611	TUBING - 5/16 I.D. X .469 O.D. X 2-3/4 O.A.L. ....	2